

Quick Installation Guide
Assembly

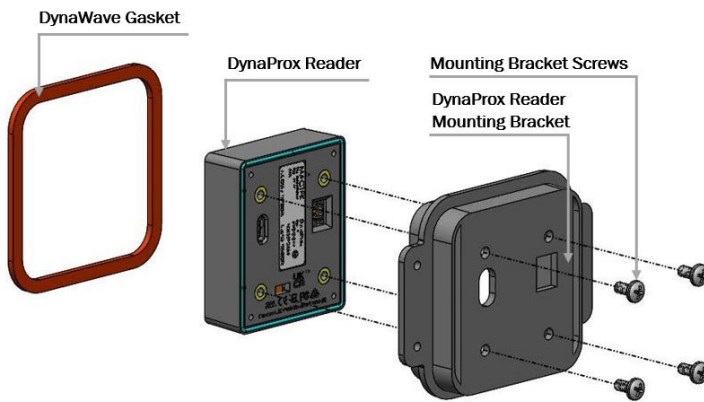
Overview

This conversion kit is designed to replace the DynaWave Contactless NFC Module with the DynaProx NFC Contactless Module. The kit is designed to house the DynaProx device for secure installation into DynaWave hardware.

Major Components



DynaWave to DynaProx (Shown Here) Conversion Kit Major Components - Fully Assembled



DynaWave to DynaProx (Shown Here) Conversion Kit Major Components - Front to Back Blown Out

Kit Contents:

DynaProx Reader Mounting Bracket: Houses the Device for Secure Installation.

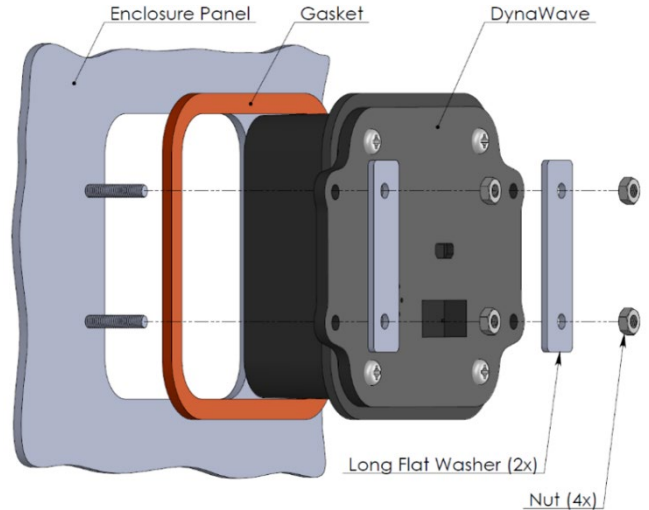
DynaWave Gasket: Protects the device from the elements.

Mounting Bracket Screws: 4 screws attach the reader to the conversion kit mounting bracket.

Note: It is important to retain the DynaWave Enclosure Panel and **ALL** associated fasteners and washers.

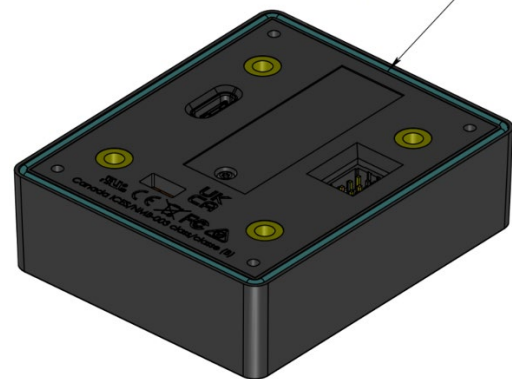
Installation of DynaProx Conversion Kit

1. Remove the DynaWave device from its enclosure panel, the washers and fasteners will be reused to attach the conversion kit to the enclosure panel.

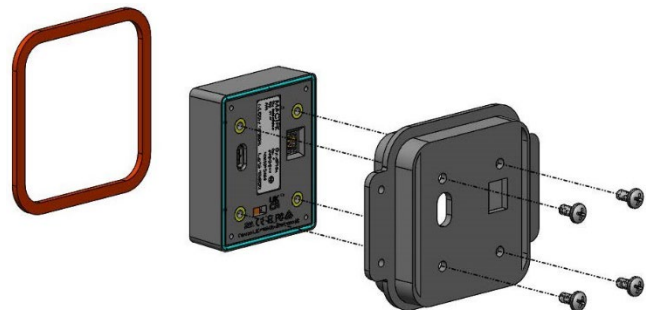


2. Ensure the blue gasket on the rear of the DynaProx device is seated properly before installing the reader into the conversion kit.

Gasket seated properly



3. Insert the DynaProx reader into the DynaProx Reader Mounting Bracket and attach using the using the 4 M4 x 0.7 screws provided in the conversion kit, and install the DynaWave gasket onto the mounting bracket.

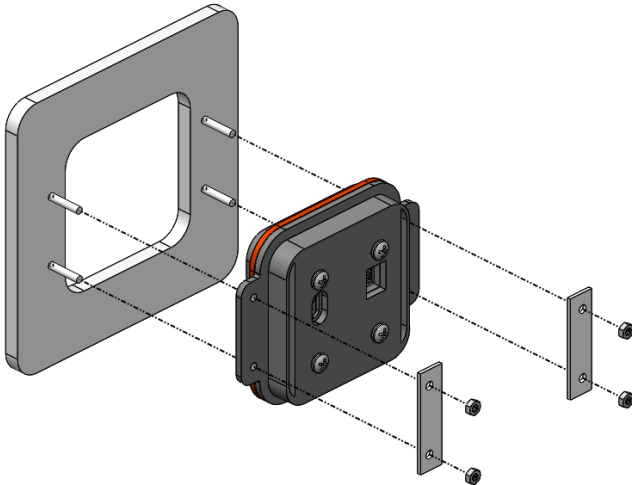


Assembly (continued), Installation and Disassembly

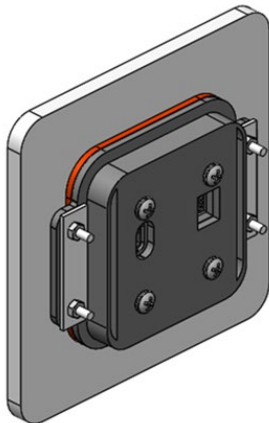
4. Assembly of the conversion kit is now complete.



5. The kit must now be installed into the DynaWave enclosure panel using the washers and fasteners retained during disassembly of the DynaWave device from the enclosure panel.



6. Different style washers or mounting hardware can be used to attach the conversion kit to the enclosure panel. Rectangular washers are illustrated in this guide however, four circular washers or a one-piece mounting plate can also be used.



7. Installation of the conversion kit is now complete.



PN	Description
21078045	MOUNTING CONVERSION KIT, DYNAWAVE TO DYNAPROX
100007189	DynaProx Gasket

Compliance

FCC INFORMATION

This device complies with Part 15 of the FCC Rules. Operation is subject to the following two conditions: (1) This device may not cause harmful interference, and (2) This device must accept any interference received, including interference that may cause undesired operation.

Note: This equipment has been tested and found to comply with the limits for a Class B digital device, pursuant to part 15 of the FCC Rules. These limits are designed to provide reasonable protection against harmful interference in a residential installation. This equipment generates, uses and can radiate radio frequency energy and, if not installed and used in accordance with the instructions, may cause harmful interference to radio communications. However, there is no guarantee that interference will not occur in a particular installation. If this equipment does cause harmful interference to radio or television reception, which can be determined by turning the equipment off and on, the user is encouraged to try to correct the interference by one or more of the following measures:

- Reorient or relocate the receiving antenna.
- Increase the separation between the equipment and receiver.
- Connect the equipment into an outlet on a circuit different from that to which the receiver is connected.
- Consult the dealer or an experienced radio/TV technician for help.

Caution: Changes or modifications not expressly approved by MagTek could void the user's authority to operate this equipment.