

Quick Installation Guide

Components and Mounting

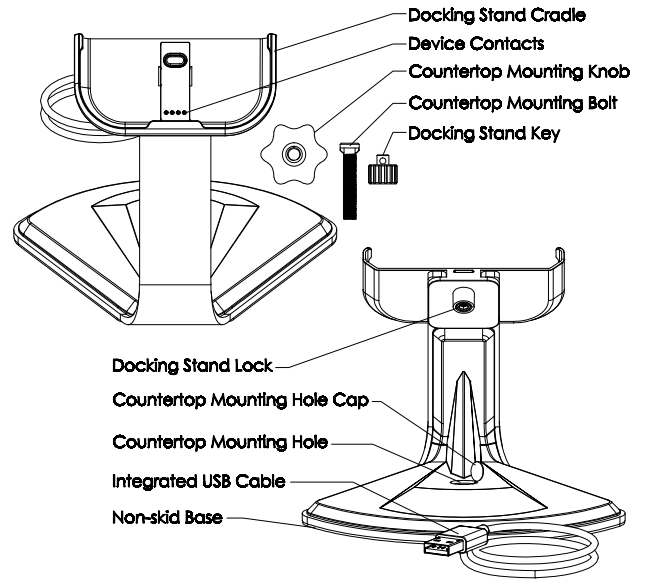
tDynamo (Gen I, II) Stand Overview

tDynamo (Gen I, II) secure card reader authenticator has an optional docking stand. The docking stand can be used in a locked or unlocked state, securely mounted or not mounted, and in combinations of these options. In the unlocked state, whether securely mounted or not, it allows for quick grab-and-go and convenient drop-in charging of tDynamo (Gen I, II) between handheld sessions.

Major Components



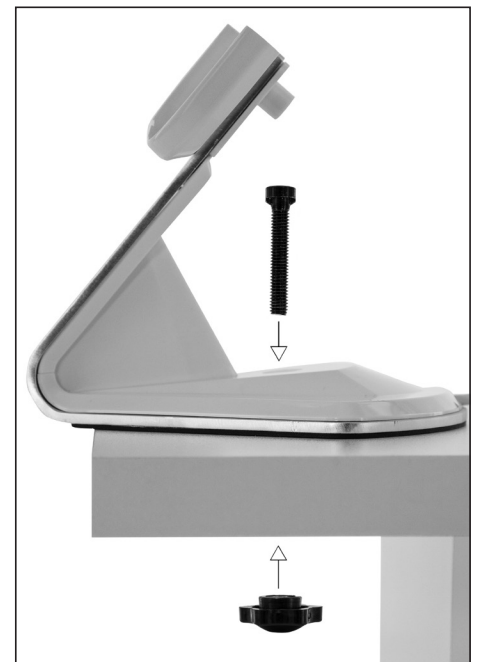
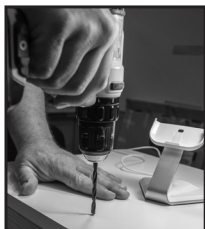
Top Center: Stand with integrated USB cable; Left: Docking Stand Key (side and bottom views); center: Countertop Mounting Knob; right: and Countertop Mounting Bolt



How to Mount the Docking Stand

To mount the docking stand to a countertop, follow these steps:

1. Determine where the docking stand should be placed: Factors to consider include cable length, cardholder and operator ergonomics, and access for cleaning and repair. If the docking stand will be used for charging in handheld operations, unobstructed removal is also a consideration.
2. Open the protective cap over the mounting hole on the base of the docking stand.
3. Place the docking stand at the desired location and mark the center of the mounting hole on the countertop, then set the docking stand aside.
4. Drill a 1/4" hole all the way through the countertop.
5. Line up the hole in the stand over the hole in the countertop.
6. Thread the included bolt through docking stand's mounting hole and the countertop hole.
7. Fasten the included knob to the bolt and tighten it.
8. Close the docking stand's protective cap.
9. Connect the docking stand's USB cable to the host.



Temporary/Locked and Compliance

How to Temporarily Place tDynamo (Gen I, II) in Docking Stand

To temporarily dock the device for convenient charging, follow these steps:

1. If the docking stand will be mounted to a countertop, do that first.
2. Make sure the docking stand is connected to a USB host.
3. Make sure the device's docking stand contacts are clean and unobstructed.
4. Place tDynamo (Gen I, II) all the way into the docking stand. The device powers on automatically and begins charging.



tDynamo (Gen I, II) is placed in the stand and the stand is mounted to the countertop. This device may be locked or may be ready for grab-and-go transactions.

How to Lock tDynamo (Gen I, II) in Docking Stand

Do not leave the round key installed in the docking stand. The key is designed to be removed to deter unauthorized removal of the device.

To permanently attach the device to the docking stand, follow these steps:

1. Make sure tDynamo (Gen I, II) is configured to use the docking contacts as its primary connection. If it is configured to use another connection, use that connection first to change the configuration.
2. Follow the steps above to place the device on the docking stand.
3. Use the included round key to turn the locking screw on the back of the stand to lock the device in place.
4. Remove the key and set it aside for future use, such as cleaning or servicing the device. It has a key ring / string hanger loop integrated into its handle for convenience. Do not leave the round key installed in the docking stand.
5. Make sure the device is firmly locked into the stand.



tDynamo (Gen I, II) is placed in the stand and the stand is mounted to the countertop. Using the locking key for mounted stationary transactions. The key is then locked away for safe keeping.

Compliance

FCC INFORMATION

This device complies with Part 15 of the FCC Rules. Operation is subject to the following two conditions: (1) This device may not cause harmful interference, and (2) This device must accept any interference received, including interference that may cause undesired operation.

Note: This equipment has been tested and found to comply with the limits for a Class B digital device, pursuant to part 15 of the FCC Rules. These limits are designed to provide reasonable protection against harmful interference in a residential installation. This equipment generates, uses and can radiate radio frequency energy and, if not installed and used in accordance with the instructions, may cause harmful interference to radio communications. However, there is no guarantee that interference will not occur in a particular installation. If this equipment does cause harmful interference to radio or television reception, which can be determined by turning the equipment off and on, the user is encouraged to try to correct the interference by one or more of the following measures:

- Reorient or relocate the receiving antenna.
- Increase the separation between the equipment and receiver.
- Connect the equipment into an outlet on a circuit different from that to which the receiver is connected.
- Consult the dealer or an experienced radio/TV technician for help.

Caution: Changes or modifications not expressly approved by MagTek could void the user's authority to operate this equipment.

CE STANDARDS

Testing for compliance with CE requirements was performed by an independent laboratory. The unit under test was found compliant with standards established for Class B devices.

UL/CSA

This product is recognized per UL 60950 1, 2nd Edition, 2011 12 19 (Information Technology Equipment - Safety - Part 1: General Requirements), CSA C22.2 No. 60950 1 07, 2nd Edition, 2011 12 (Information Technology Equipment - Safety - Part 1: General Requirements).

ROHS STATEMENT

When ordered as RoHS compliant, this product meets the Electrical and Electronic Equipment (EEE) Reduction of Hazardous Substances (RoHS) European Directive 2002/95/EC. The marking is clearly recognizable, either as written words like "Pb-free," "lead-free," or as another clear symbol (♻).