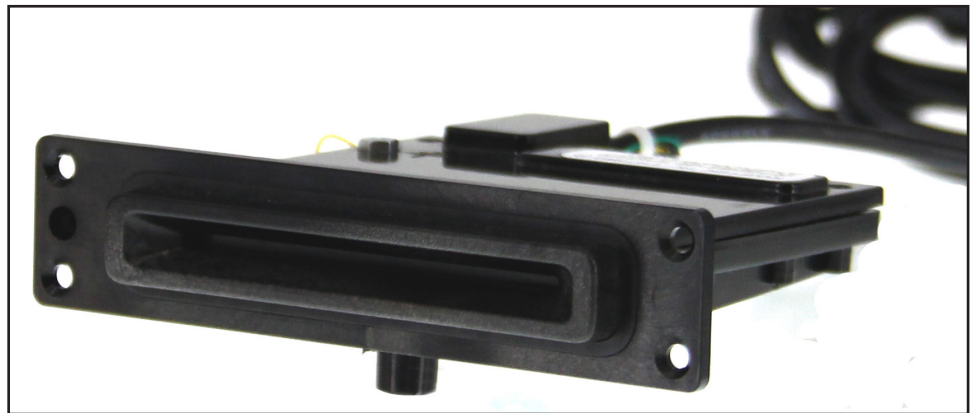


DRAFT. SPECIFICATIONS SUBJECT TO CHANGE
WITHOUT NOTICE.

mDynamo with Outdoor Bezel

INSERTION SECURE CARD READER AUTHENTICATOR EMV CONTACT CHIP MODULE

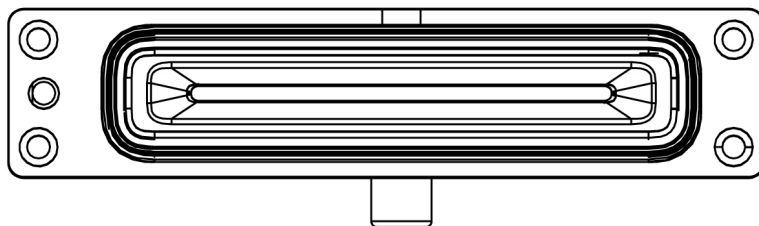
mDynamo with Outdoor Bezel is an IP34 rated EMV chip card module that is designed for integration into indoor and outdoor, unattended kiosks.



The card insertion slot features a spring-loaded door to help prevent dust and moisture from entering the reader.

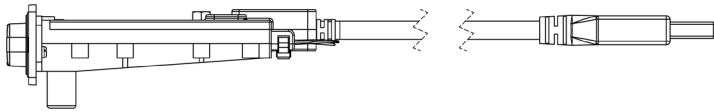
CONTACT CHIP CARD

mDynamo with Outdoor Bezel is an affordable and flexible card reading module. It is designed to read contact chip cards that conform to ISO 7816 standards. The board is well designed for a compact footprint.



BUILT-IN DRAIN

The chassis and reader also feature a built-in drain to attach an external drain tube.



SECURITY

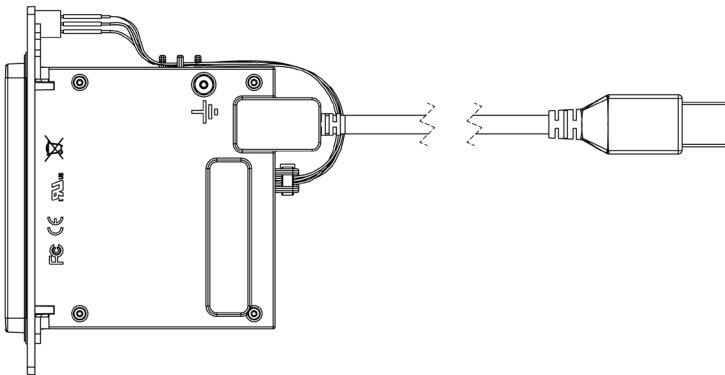
mDynamo with Outdoor Bezel is built on the MagneSafe® Security Architecture which uses 3DES encryption and DUKPT key management to protect sensitive payment card data acquired from reading EMV chip cards.

MAGENSA SERVICES

mDynamo with Outdoor Bezel is supported by the full suite of Magensa's Services: data decryption, card and device authentication, gateway, device configuration and key injection. MagTek provides well-defined and documented web services and several off-the-shelf applications for reader configuration on Windows and Android platforms.

USB OPTIONS

The primary communications interface is USB. mDynamo is powered over USB so, there is no need for additional cabling or external power supplies needed. The 6ft USB cable is attached and included.



FAST DEVELOPMENT

Invest in mDynamo with Outdoor Bezel and receive dedicated software, hardware, and payments support. Working with MagTek OEM is the fastest way to secure, compliant, and flexible payment solutions for your custom device. MagTek offers a variety of software developer kits to get your started.

Connection(s):

USB

Host Operating Systems:

Android, Windows

PN	Description
21079853	mDynamo, Insertion SCRA Module, Enclosure

Payment methods	Specifications
Magnetic stripe reader (SCRA) Triple Track (TK1/2/3); Bidirectional read ISO 7810, 7811; AAMVA driver licenses	NO
EMV chip contact EMVCo L1 and L2 ISO/IEC 7816	YES
EMV contactless EMVCo L1 and L2, EMV Level 1 /C-2/C-3/C-4/C-5 ISO/IEC 18092, ISO/IEC 14443 (Type A/B)	NO
NFC contactless / mobile wallets ISO/IEC 18092, ISO/IEC 14443 (Type A, Type B) C-1/ C-6/C-7 D-PAS®, PayPass™, payWave®, ExpressPay®, Apple Pay®	NO
Reliability and Operation	
MSR / SCRA swipes	NO
EMV insertions	500K
Tested Compatible OS(s)	USB: Windows 7, Windows 8.1, Windows 10
Status indicators	General Status LED
Device Compatibility	USB host devices
General	
Connection Method	Micro-USB B, compatible with USB 1.1, USB 2.0; Vendor-defined USB Human Interface Device (HID) data format; attached 6ft USB cable
Tested Compatible Operating System	Windows 7, Windows 8.1, Windows 10
Wireless (Frequency 2.4 MHz)	NA
Interface	USB powered via Micro-USB B jack
Ports	NA
Magensa Web Services	<ul style="list-style-type: none"> Gateway Data Protection Remote Services
Electrical	
Battery	Not applicable
Power Outputs	5 VDC on USB power
Security and Certifications	
Compliance (FCC, CE, UL)	<ul style="list-style-type: none"> EMV ICC Specifications for Payment Systems Version 4.3, L1 Contact and L2 Contact FCC Title 47 Part 15 Class B CE Level B EMC, CE Safety UR/CUR UL Recognized MasterCard TOM California Proposition 65 (California) IPC-A-610 Class II Assembly EU Directive Waste Electrical and Electronic Equipment (WEEE) EU Directive Restriction of Hazardous Substances (RoHS) Universal Serial Bus Specifications 1.1, 2.0
MagneSafe Security Architecture	<ul style="list-style-type: none"> Encryption: TDEA (3DES)-CBC DUKPT Key Management Unique non-changeable serial number Authentication Tokenization
Mechanical	
Dimensions	3.9 in. W x 0.9 in. H x 3.4 in. T (99.1 mm x 23.4 mm 86.4 mm)
Weight	Reader with attached USB cable 3.4oz (95.5g)
Mount/Stabilizer	Solution-specific enclosure with card slot, screws, and inserts
Environmental	
Operating and storage temp	-4°F to 149°F (-20°C to 65°C)
Operating humidity non-condensing	5% to 90% non-condensing

DRAFT. SPECIFICATIONS SUBJECT TO CHANGE WITHOUT NOTICE.



Founded in 1972, MagTek is a leading manufacturer of electronic systems for the reliable issuance, reading, transmission and security of cards, barcodes, checks, PINs and identification documents. Leading with innovation and engineering excellence, MagTek is known for quality and dependability. Its products include secure card reader/authenticators, Quantum secure cards, token generators, EMV contact, contactless, barcode and NFC reading devices, encrypting check scanners, PIN pads and distributed credential personalization systems for secure magstripe and EMV enabled cards. These products are used worldwide by financial institutions, retailers, payment processors, and ISVs to provide secure and efficient data privacy, as well as payment and identification transactions. Today, MagTek continues to innovate. Its MagneSafe® Security Architecture leverages strong encryption, secure tokenization, dynamic card authentication, and device/host validation enabling users to assess the trustworthiness of credentials and terminals used for online identification, payment processing, and high-value electronic transactions. MagTek is headquartered in Seal Beach, CA. For more information, please visit www.magtek.com.