

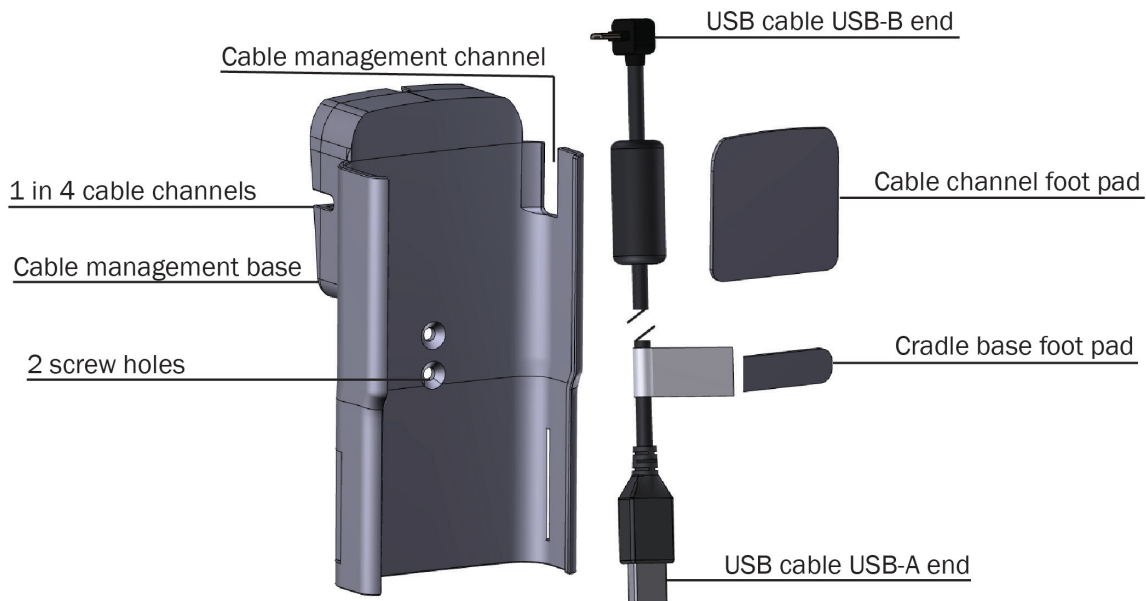
Quick Installation Guide

Product Description

DynaPro Go Wire Management Cradle is a stabilizing cradle used for wire management for the DynaPro Go handheld PIN Pad.

Major Components

DynaPro Go Cradle



Contents

DynaPro Go Cradle ships with the housing itself, one (1) USB 6ft cable (USB A-B) PN 1000007380, and two (2) neoprene feet PN 1000007348 (comprised of the cable channel foot pad and the Cradle base foot pad).

DynaPro Go Installed in Cradle

The DynaPro Go Cradle stabilizes the DynaPro Go cable and provides countertop installation capability. The Cradle is an accessory that does not require or transmit power.

Cable

DynaPro Go has a USB-B (micro USB) connection. The cable connects directly to the DynaPro Go on the right facing side and faces downward. The cable is then routed through the cable management channel to the cable management base of the Cradle. The ferrite core nestles inside the cable management base.

Accessories

The neoprene feet protect countertops, are easier on the hands, stabilize the device, and enforce the cable placement.

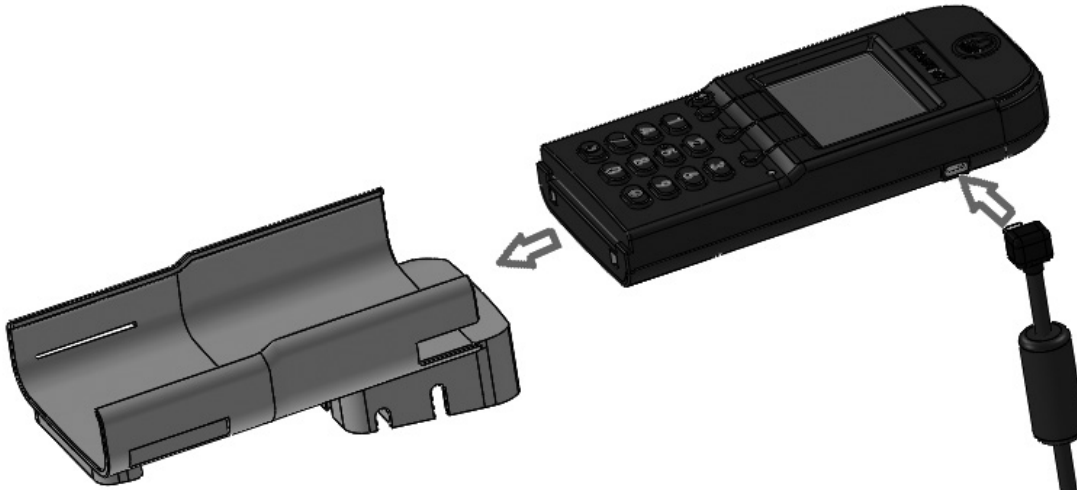
Steps to Installation

1. Place the DynaPro Go into the Cradle

Slide the DynaPro Go into the DynaPro Go Cradle housing.

2. Plug the USB cable into the DynaPro Go

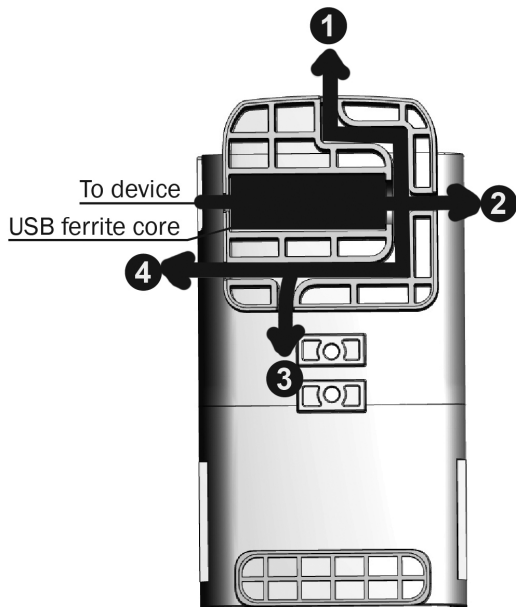
Plug the micro USB cable end into the DynaPro Go with the cable falling downward



3. Route USB cable

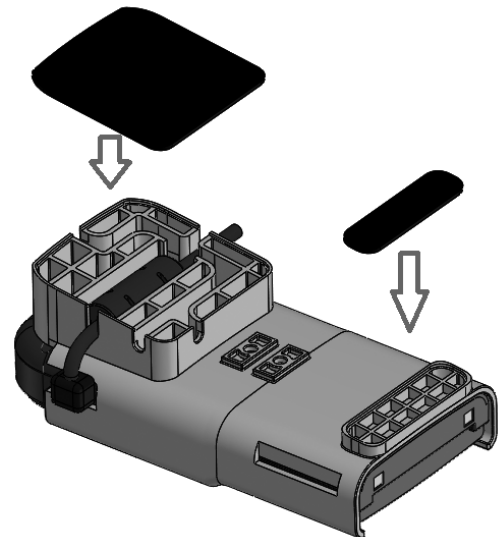
Route the USB cable through the cable management base. This keeps your cable securely in place and guards against cable pull and disengagement. The USB ferrite core fits snugly in the center. There are 4 different cable channels possible:

1. Top exit
2. Left side exit
3. Bottom exit
4. Right exit



4. Apply foot pads

Peel the backer off of the foot pads, one at a time, being careful not to touch the sticky side. Align and press the foot pad firmly onto the cable management base, then rub across the cable channel foot pad to remove air pockets. Align and press the foot pad firmly onto the Cradle foot base, then rub across the Cradle foot pad.



5. Ready to Accept Transactions

You are now ready to use your DynaPro Go and accept transactions. You can place the Cradle on the countertop, attach to a mount, or use as a handheld device.

Technical Support

When contacting the support team please have part number and serial number(s) available, contact support@magtek.com