

USB HID INTELLIHEAD FOR SWIPE READERS TECHNICAL REFERENCE MANUAL

Manual Part Number 99875320-6

JANUARY 2012

MAGTEK[®]

REGISTERED TO ISO 9001:2008

1710 Apollo Court

Seal Beach, CA 90740

Phone: (562) 546-6400

FAX: (562) 546-6301

Technical Support: (651) 415-6800

www.magtek.com

Information in this document is subject to change without notice. No part of this document may be reproduced or transmitted in any form or by any means, electronic or mechanical, for any purpose, without the express written permission of MagTek, Inc.

MagTek is a registered trademark of MagTek, Inc.
IntelliHead™ is a trademark of MagTek, Inc.

USB (Universal Serial Bus) Specification is Copyright© 1998 by Compaq Computer Corporation, Intel Corporation, Microsoft Corporation, NEC Corporation.

REVISIONS

Rev Number	Date	Notes
1	28 Jan 05	Initial Release
2	10 Jun 05	Added examples to some of the commands; editorial throughout; added 210401xx models
3	17 Oct 05	Updated Limited Warranty; added new models: 21044000 and 21046003 and updated other revisions
4	13 Sept 07	Added new model 21030042.
5	14 Oct 08	Added JIS type 2 decoding option; updated company address.
6	4 Jan 12	Changed Device Serial Number to Key Serial Number. Updated Limited Warranty and Agency approvals. Corrected Molex PN on page 5. Added 21047022, Added Host Poll Timeout Property (0x52)

LIMITED WARRANTY

MagTek warrants that the products sold pursuant to this Agreement will perform in accordance with MagTek's published specifications. This warranty shall be provided only for a period of one year from the date of the shipment of the product from MagTek (the "Warranty Period"). This warranty shall apply only to the "Buyer" (the original purchaser, unless that entity resells the product as authorized by MagTek, in which event this warranty shall apply only to the first repurchaser).

During the Warranty Period, should this product fail to conform to MagTek's specifications, MagTek will, at its option, repair or replace this product at no additional charge except as set forth below. Repair parts and replacement products will be furnished on an exchange basis and will be either reconditioned or new. All replaced parts and products become the property of MagTek. This limited warranty does not include service to repair damage to the product resulting from accident, disaster, unreasonable use, misuse, abuse, negligence, or modification of the product not authorized by MagTek. MagTek reserves the right to examine the alleged defective goods to determine whether the warranty is applicable.

Without limiting the generality of the foregoing, MagTek specifically disclaims any liability or warranty for goods resold in other than MagTek's original packages, and for goods modified, altered, or treated without authorization by MagTek.

Service may be obtained by delivering the product during the warranty period to MagTek (1710 Apollo Court, Seal Beach, CA 90740). If this product is delivered by mail or by an equivalent shipping carrier, the customer agrees to insure the product or assume the risk of loss or damage in transit, to prepay shipping charges to the warranty service location, and to use the original shipping container or equivalent. MagTek will return the product, prepaid, via a three (3) day shipping service. A Return Material Authorization ("RMA") number must accompany all returns. Buyers may obtain an RMA number by contacting Technical Support at (888) 624-8350.

EACH BUYER UNDERSTANDS THAT THIS MAGTEK PRODUCT IS OFFERED AS IS. MAGTEK MAKES NO OTHER WARRANTY, EXPRESS OR IMPLIED, AND MAGTEK DISCLAIMS ANY WARRANTY OF ANY OTHER KIND, INCLUDING ANY WARRANTY OF MERCHANTABILITY OR FITNESS FOR A PARTICULAR PURPOSE.

IF THIS PRODUCT DOES NOT CONFORM TO MAGTEK'S SPECIFICATIONS, THE SOLE REMEDY SHALL BE REPAIR OR REPLACEMENT AS PROVIDED ABOVE. MAGTEK'S LIABILITY, IF ANY, SHALL IN NO EVENT EXCEED THE TOTAL AMOUNT PAID TO MAGTEK UNDER THIS AGREEMENT. IN NO EVENT WILL MAGTEK BE LIABLE TO THE BUYER FOR ANY DAMAGES, INCLUDING ANY LOST PROFITS, LOST SAVINGS, OR OTHER INCIDENTAL OR CONSEQUENTIAL DAMAGES ARISING OUT OF THE USE OF, OR INABILITY TO USE, SUCH PRODUCT, EVEN IF MAGTEK HAS BEEN ADVISED OF THE POSSIBILITY OF SUCH DAMAGES, OR FOR ANY CLAIM BY ANY OTHER PARTY.

LIMITATION ON LIABILITY

EXCEPT AS PROVIDED IN THE SECTIONS RELATING TO MAGTEK'S LIMITED WARRANTY, MAGTEK'S LIABILITY UNDER THIS AGREEMENT IS LIMITED TO THE CONTRACT PRICE OF THIS PRODUCT.

MAGTEK MAKES NO OTHER WARRANTIES WITH RESPECT TO THE PRODUCT, EXPRESSED OR IMPLIED, EXCEPT AS MAY BE STATED IN THIS AGREEMENT, AND MAGTEK DISCLAIMS ANY IMPLIED WARRANTY, INCLUDING WITHOUT LIMITATION ANY IMPLIED WARRANTY OF MERCHANTABILITY OR FITNESS FOR A PARTICULAR PURPOSE.

MAGTEK SHALL NOT BE LIABLE FOR CONTINGENT, INCIDENTAL, OR CONSEQUENTIAL DAMAGES TO PERSONS OR PROPERTY. MAGTEK FURTHER LIMITS ITS LIABILITY OF ANY KIND WITH RESPECT TO THE PRODUCT, INCLUDING ANY NEGLIGENCE ON ITS PART, TO THE CONTRACT PRICE FOR THE GOODS.

MAGTEK'S SOLE LIABILITY AND BUYER'S EXCLUSIVE REMEDIES ARE STATED IN THIS SECTION AND IN THE SECTION RELATING TO MAGTEK'S LIMITED WARRANTY.

FCC WARNING STATEMENT

This equipment has been tested and was found to comply with the limits for a Class B digital device pursuant to Part 15 of FCC Rules. These limits are designed to provide reasonable protection against harmful interference when the equipment is operated in a residential environment. This equipment generates, uses, and can radiate radio frequency energy and, if not installed and used in accordance with the instruction manual, may cause harmful interference with radio communications. However, there is no guarantee that interference will not occur in a particular installation.

FCC COMPLIANCE STATEMENT

This device complies with Part 15 of the FCC Rules. Operation of this device is subject to the following two conditions: (1) this device may not cause harmful interference, and (2) this device must accept any interference received, including interference that may cause undesired operation.

CANADIAN DOC STATEMENT

This digital apparatus does not exceed the Class B limits for radio noise from digital apparatus set out in the Radio Interference Regulations of the Canadian Department of Communications.

Le présent appareil numérique n'émet pas de bruits radioélectriques dépassant les limites applicables aux appareils numériques de la classe B prescrites dans le Règlement sur le brouillage radioélectrique édicté par le ministère des Communications du Canada.

This Class B digital apparatus complies with Canadian ICES-003.

Cet appareil numérique de la classe B est conforme à la norme NMB-003 du Canada.

CE STANDARDS

Testing for compliance with CE requirements was performed by an independent laboratory. The unit under test was found compliant with standards established for Class B devices.

UL/CSA

This product is recognized per Underwriter Laboratories and Canadian Underwriter Laboratories 1950.

RoHS STATEMENT


When ordered as RoHS compliant, this product meets the Electrical and Electronic Equipment (EEE) Reduction of Hazardous Substances (RoHS) European Directive 2002/95/EC. The marking is clearly recognizable, either as written words like "Pb-free", "lead-free", or as another clear symbol ()

TABLE OF CONTENTS

SECTION 1. FEATURES AND SPECIFICATIONS	1
FEATURES.....	1
HARDWARE CONFIGURATIONS.....	2
ACCESSORIES.....	2
REFERENCE DOCUMENTS	2
SPECIFICATIONS.....	3
SECTION 2. INSTALLATION.....	5
USB CONNECTION	5
WINDOWS PLUG AND PLAY SETUP.....	5
MOUNTING	5
SECTION 3. OPERATION.....	7
CARD READ.....	7
SECTION 4. USB COMMUNICATIONS.....	9
HID USAGES.....	9
REPORT DESCRIPTOR	10
CARD DATA	11
TRACK 1 DECODE STATUS.....	11
TRACK 2 DECODE STATUS.....	12
TRACK 3 DECODE STATUS.....	12
TRACK 1 DATA LENGTH	12
TRACK 2 DATA LENGTH	12
TRACK 3 DATA LENGTH	12
CARD ENCODE TYPE.....	13
TRACK DATA	13
TRACK 1 DATA.....	13
TRACK 2 DATA.....	13
TRACK 3 DATA.....	13
COMMANDS	14
COMMAND NUMBER	14
DATA LENGTH.....	14
DATA	14
RESULT CODE	15
GET AND SET PROPERTY COMMANDS	15
SOFTWARE ID PROPERTY.....	16
SERIAL NUM PROPERTY.....	17
POLLING INTERVAL PROPERTY.....	17
MAX PACKET SIZE PROPERTY.....	18
TRACK ID ENABLE PROPERTY.....	19
INTERFACE TYPE PROPERTY.....	20
DECODE ENABLE PROPERTY	21
HOST POLL TIMEOUT PROPERTY	22
RESET DEVICE COMMAND	23
SECTION 5. DEMO PROGRAM	25
INSTALLATION	25
OPERATION.....	25
SOURCE CODE	25
APPENDIX A. DRAWINGS.....	27

TABLES AND FIGURES

Figure 1-1. USB IntelliHead 3-Track	vii
Table 1-1. Specifications	3
Table 2-1. 5-Pin Connector	5
Figure A-1. USB HID IntelliHead, 3-Track, 125mm Wire, 5-Pin Connector	28
Figure A-2. USB HID IntelliHead, 3-Track, 440mm Wire, 5-Pin Reverse Connector	29
Figure A-3. USB HID IntelliHead, 3-Track, 125mm Wire, 4.05mm Beam Arm, 5-Pin Molex	30
Figure A-4. USB HID IntelliHead, 3-Track, 6' Cable, USB-A Connector, 100mm Black	31
Figure A-5. USB HID IntelliHead, 3-Track, 6" Cable, USB-A Connector, 100mm Black	32
Figure A-6. USB HID IntelliHead, 3-Track, 125mm Wire, 5-pin Molex connector, 43mm rail	33
Figure A-7. USB HID IntelliHead, 3-Track, 125mm Wire, 5-pin Connector, 90mm rail	34
Figure A-8. USB HID IntelliHead, 3-Track, 125mm Wire, 5-pin Molex Connector, 60mm Slim Profile	35
Figure A-9. USB HID IntelliHead, 3-Track, 125mm Wire, 5-pin Molex Connector, 90mm Slim Profile	36
Figure A-10. USB HID IntelliHead, 3-Track, 125mm Wire, 5-pin Molex Connector, Slim Profile (PAX) ...	37

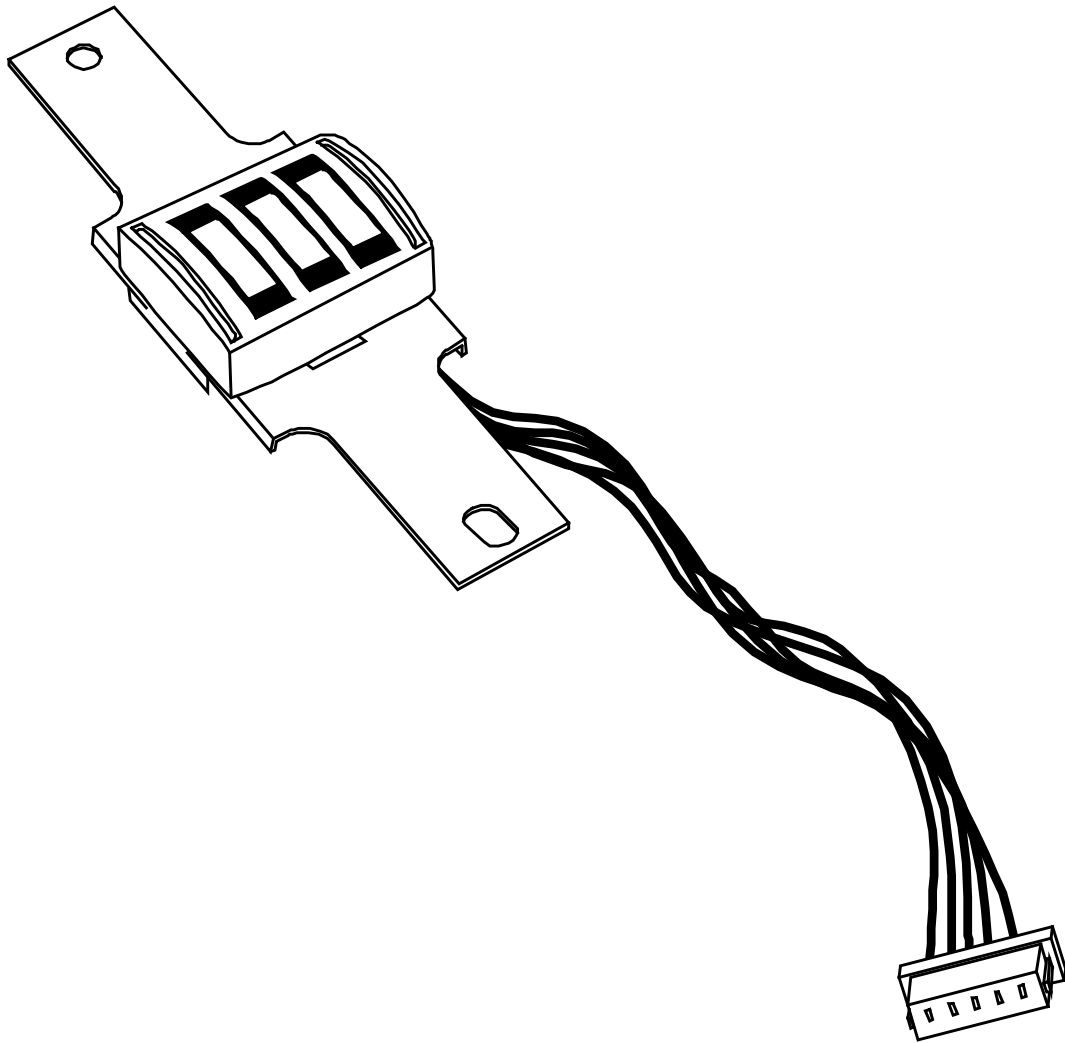


Figure 1-1. USB IntelliHead 3-Track

SECTION 1. FEATURES AND SPECIFICATIONS

The USB (Universal Serial Bus) HID (Human Interface Device) IntelliHead Swipe Reader is a compact magnetic stripe card reader that conforms to ISO standards. The Reader is compatible with any device with a USB host interface. A card is read by sliding it past the head either forward or backward.

The Reader conforms to the USB HID Class specification Version 1.1. This allows host applications designed for most versions of Windows to easily communicate to the device using standard Windows API calls that communicate to the device through the HID driver that comes with Windows.

Unlike HID keyboard emulation readers, this device does not use keyboard emulation. It behaves like a vendor-defined HID device so that a direct communication path can be established between the Host application and the device without interference such as keystrokes from other HID devices. (For information on the USB KB Emulation IntelliHead, refer to Technical Manual 99875321.)

FEATURES

Major features of the USB IntelliHead are as follows:

- Powered through the USB – no external power supply required
- Hardware Compatible with PC or any computer or terminal with a USB interface
- Bi-directional card reading
- Reads encoded data that meets ANSI/ISO/AAMVA/JIS Type 2 standards and others such as ISO track 1 format on track 2 or 3
- Reads up to three tracks of card data
- Compatible with USB specification Revision 1.1
- Compatible with HID specification Version 1.1
- Can use standard Windows HID driver for communications. No third part device driver is required.
- Programmable USB serial number descriptor
- Programmable USB Interrupt In Endpoint polling interval
- Non-volatile memory for configuration storage
- Ability to convert to Keyboard Emulation mode of operation

HARDWARE CONFIGURATIONS

The hardware configurations are as shown in the table below. Drawings of each model are included in Appendix A.

Part Number	Description	Cable Length and Connector Type	Rail or Housing
21030006	USB HID IntelliHead on spring	125mm, 5 pin Molex	None
21030010	USB HID IntelliHead on spring	440mm, 5 pin Molex (reverse pin out)	None
21030032	USB HID IntelliHead on spring	280mm, 5 pin Molex (reverse pin out)	None
21030042	USB HID IntelliHead on beam	125mm, 5 pin Molex	4.05mm Beam Arm
21040124	USB HID IntelliHead Black	1.8m (6'), USB-A	100mm Black enclosure
21040128	USB HID IntelliHead Black	150mm (6"), USB-A	100mm Black enclosure
21044000	USB HID IntelliHead 43mm rail	125mm, 5 pin Molex	43mm Black rail
21045087	USB HID IntelliHead on rail	125mm, 5 pin Molex	90mm Black rail
21046003	USB HID IntelliHead 60mm Slim rail	125mm, 5 pin Molex	60mm Black slim rail
21047011	USB HID IntelliHead Slim rail	125mm, 5 pin Molex	90mm Black slim rail
21047022	USB HID IntelliHead Slim rail	125mm, 5 pin Molex	90mm Black slim rail; 2-piece design

ACCESSORIES

The accessories are as follows:

Part Number	Description
21042806	USB MSR Demo Program with Source Code (Disk)
21051534	Test Cable to convert from IntelliHead to USB-A (6 ft)
99510026	USB MSR Demo Program with Source Code (WEB)

REFERENCE DOCUMENTS

MagTek *Magnetic Card Reader Design Kit Technical Specification* (99821002)

MagTek *USB KB IntelliHead for Swipe Readers, Technical Reference Manual* (99875321)

Axelson, Jan. *USB Complete, Everything You Need to Develop Custom USB Peripherals*, 1999. Lakeview Research, 2209 Winnebago St., Madison WI 53704, 396pp., <http://www.lvr.com>

USB Human Interface Device (HID) Class Specification Version 1.1

USB (Universal Serial Bus) Specification, Version 1.1, Copyright© 1998 by Compaq Computer Corporation, Intel Corporation, Microsoft Corporation, NEC Corporation

USB Implementers Forum, Inc., www.usb.org

SPECIFICATIONS

Table 1-1 lists the specifications for the USB IntelliHead.

Table 1-1. Specifications

Reference Standards	ISO 7810, ISO 7811, AAMVA and JIS X 6302*
Power Input	5V from USB bus
Recording Method	Two-frequency coherent phase (F2F)
Message Format	ASCII
Card Speed	3 to 60 ips (7.62 – 152.4 cm/s)

ELECTRICAL

Current	
Normal Mode	15mA
Suspend Mode	200 µA

MECHANICAL

Weight	1.1 oz. (31 gr.)
Cable length	See related drawing in Appendix A
Connector	See related drawing in Appendix A

ENVIRONMENTAL

Temperature	
Operating	-40 °C to +70 °C (-40 °F to 158 °F)
Storage	-40 °C to +70 °C (-40 °F to 158 °F)
Humidity	
Operating	10% to 90% noncondensing
Storage	10% to 90% noncondensing
Altitude	
Operating	0-10,000 ft. (0-3048 m.)
Storage	0-50,000 ft. (0-15240 m.)

* ISO (International Standards Organization, AAMVA (American Association of Motor Vehicle Administrators) and JIS (Japanese Industrial Standard).

SECTION 2. INSTALLATION

This section describes the cable connection, the Windows Plug and Play Setup, and the physical mounting of the unit.

USB CONNECTION

Since the USB IntelliHead is supplied as an OEM product, the installation and system integration will be unique for each application. The reader module must be attached to an appropriate connector which, in turn, connects to the USB port or hub. The pin numbers for the 5-pin connector are shown in Figure 2-1.

Pin numbers and signal descriptions for the cable shown in the illustration are listed in Table 2-1. The connector is a Molex 51021-0500; one of the recommended mating connectors is Molex 53048-0510.

Table 2-1. 5-Pin Connector

Pin Number	Signal	Cable Color
1	VBUS	Red
2	- Data	White
3	+Data	Green
4	Ground	Black
5	Head Case	Brown

WINDOWS PLUG AND PLAY SETUP

On hosts with the Windows operating system, the first time the device is plugged into a specific USB port, Windows will pop up a dialog box, which will guide you through the process of installing a device driver for the device. After this process is completed once, Windows will no longer request this process as long as the device is plugged into the same USB port. The device driver that Windows will install for this device is the driver used for HID devices and it is part of the Windows operating system. When the dialog box pops up, follow the instructions given in the dialog box. Sometimes Windows will find all the files it needs on its own without giving any prompts. Other times Windows will need to know the location of the files it needs. If Windows prompts for the file locations, insert the CD that was used to install Windows on your PC and point Windows to the root directory of the CD. Windows should find all the files it needs there.

MOUNTING

Refer to the appropriate Appendix in this document and/or to the *Magnetic Card Reader Design Kit* for complete mounting details.

SECTION 3. OPERATION

CARD READ

A card may be swiped past the read head at any time. The magnetic stripe must face toward the head and may be swiped in either direction. If there is data encoded on the card, the device will attempt to decode the data and then send the results to the host via a USB HID input report. After the results are sent to the host, the device will be ready to read the next card.

SECTION 4. USB COMMUNICATIONS

This device conforms to the USB specification revision 1.1. This device also conforms with the Human Interface Device (HID) class specification version 1.1. The device communicates to the host as a vendor-defined HID device. The details about how the card data and commands are structured into HID reports follow later in this section. The latest versions of the Windows operating systems come with a standard Windows USB HID driver. Windows applications that communicate to this device can be easily developed. These applications can communicate to the device using standard windows API calls that communicate to the device using the standard Windows USB HID driver. These applications can be easily developed using compilers such as Microsoft's Visual Basic or Visual C++. A demonstration program and its source code, written in Visual Basic, that communicates with this device is available. This demo program can be used to test the device and it can be used as a guide for developing other applications. More details about the demo program follow later in this document.

It is recommended that application software developers become familiar with the HID specification the USB specification before attempting to communicate with this device. This document assumes that the reader is familiar with these specifications. These specifications can be downloaded free from www.usb.org.

This is a full speed USB device. This device has a number of programmable configuration properties. These properties are stored in non-volatile memory. These properties can be configured at the factory or by the end user. The device has an adjustable endpoint descriptor polling interval value that can be set to any value in the range of 1ms to 255ms. This property can be used to speed up or slow down the card data transfer rate. The device also has an adjustable serial number descriptor. More details about these properties can be found later in this document in the command section.

The device will go into suspend mode when directed to do so by the host. The device will wake up from suspend mode when directed to do so by the host. The device does not support remote wakeup.

This device is powered from the USB bus. The vendor ID is 0x0801 and the product ID is 0x0002.

HID USAGES

HID devices send data in reports. Elements of data in a report are identified by unique identifiers called usages. The structure of the device's reports and the device's capabilities are reported to the host in a report descriptor. The host usually gets the report descriptor only once, right after the device is plugged in. The report descriptor usages identify the devices capabilities and report structures. For example, a device could be identified as a keyboard by analyzing the device's report descriptor. Usages are four byte integers. The most significant two bytes are called the usage page and the least significant two bytes are called usage IDs. Usages that are related can share a common usage page. Usages can be standardized or they can be vendor defined. Standardized usages such as usages for mice and keyboards can be found in the HID Usage Tables document and can be downloaded free at www.usb.org. Vendor-defined usages must

USB HID IntelliHead Swipe Reader

have a usage page in the range 0xFF00 – 0xFFFF. All usages for this device use vendor-defined magnetic stripe reader usage page 0xFF00. The usage IDs for this device are defined in the following table. The usage types are also listed. These usage types are defined in the HID Usage Tables document.

Magnetic Stripe Reader usage page 0xFF00:

Usage ID (Hex)	Usage Name	Usage Type	Report Type
01	Decoding reader device	Collection	None
20	Track 1 decode status	Data	Input
21	Track 2 decode status	Data	Input
22	Track 3 decode status	Data	Input
28	Track 1 data length	Data	Input
29	Track 2 data length	Data	Input
2A	Track 3 data length	Data	Input
30	Track 1 data	Data	Input
31	Track 2 data	Data	Input
32	Track 3 data	Data	Input
38	Card encode type	Data	Input
20	Command message	Data	Feature

REPORT DESCRIPTOR

The HID report descriptor is structured as follows:

Item	Value (Hex)
Usage Page (Magnetic Stripe Reader)	06 00 FF
Usage (Decoding reader device)	09 01
Collection (Application)	A1 01
Logical Minimum (0)	15 00
Logical Maximum (255)	26 FF 00
Report Size (8)	75 08
Usage (Track 1 decode status)	09 20
Usage (Track 2 decode status)	09 21
Usage (Track 3 decode status)	09 22
Usage (Track 1 data length)	09 28
Usage (Track 2 data length)	09 29
Usage (Track 3 data length)	09 2A
Usage (Card encode type)	09 38
Report Count (7)	95 07
Input (Data, Variable, Absolute, Bit Field)	81 02
Usage (Track 1 data)	09 30
Report Count (110)	95 6E
Input (Data, Variable, Absolute, Buffered Bytes)	82 02 01
Usage (Track 2 data)	09 31
Report Count (110)	95 6E

Item	Value (Hex)
Input (Data, Variable, Absolute, Buffered Bytes)	82 02 01
Usage (Track 3 data)	09 32
Report Count (110)	95 6E
Input (Data, Variable, Absolute, Buffered Bytes)	82 02 01
Usage (Command message)	09 20
Report Count (24)	95 18
Feature (Data, Variable, Absolute, Buffered Bytes)	B2 02 01
End Collection	C0

CARD DATA

Card data is only sent to the host on the Interrupt In pipe using an Input Report. The device will send only one Input Report per card swipe. If the host requests data from the device when no data is available, the device will send a Nak to the host to indicate that it has nothing to send. When a card is swiped, the Input Report will be sent even if the data is not decodable. The following table shows how the input report is structured.

Offset	Usage Name
0	Track 1 decode status
1	Track 2 decode status
2	Track 3 decode status
3	Track 1 data length
4	Track 2 data length
5	Track 3 data length
6	Card encode type
7 – 116	Track 1 data
117 – 226	Track 2 data
227 - 336	Track 3 data

TRACK 1 DECODE STATUS

Bits	7-1	0
Value	Reserved	Error

This is a one-byte value, which indicates the status of decoding track 1. Bit position zero indicates if there was an error decoding track 1 if the bit is set to one. If it is zero, then no error occurred. If a track has data on it that is not noise, and it is not decodable, then a decode error is indicated. If a decode error is indicated, the corresponding track data length value for the track that has the error will be set to zero and no valid track data will be supplied.

TRACK 2 DECODE STATUS

Bits	7-1	0
Value	Reserved	Error

This is a one-byte value, which indicates the status of decoding track 2. Bit position zero indicates if there was an error decoding track 2 if this bit is set to one. If it is zero, then no error occurred. If a track has data on it that is not noise, and it is not decodable, then a decode error is indicated. If a decode error is indicated, the corresponding track data length value for the track that has the error will be set to zero and no valid track data will be supplied.

TRACK 3 DECODE STATUS

Bits	7-1	0
Value	Reserved	Error

This is a one-byte value, which indicates the status of decoding track 3. Bit position zero indicates if there was an error decoding track 3 if this bit is set to one. If it is zero, then no error occurred. If a track has data on it that is not noise, and it is not decodable, then a decode error is indicated. If a decode error is indicated, the corresponding track data length value for the track that has the error will be set to zero and no valid track data will be supplied.

TRACK 1 DATA LENGTH

This one-byte value indicates how many bytes of decoded card data are in the track 1 data field. This value will be zero if there was no data on the track or if there was an error decoding the track.

TRACK 2 DATA LENGTH

This one-byte value indicates how many bytes of decoded card data are in the track 2 data field. This value will be zero if there was no data on the track or if there was an error decoding the track.

TRACK 3 DATA LENGTH

This one-byte value indicates how many bytes of decoded card data are in the track 3 data field. This value will be zero if there was no data on the track or if there was an error decoding the track.

CARD ENCODE TYPE

This one-byte value indicates the type of encoding that was found on the card. The following table defines the possible values.

Value	Encode Type	Description
0	ISO/ABA	ISO/ABA encode format
1	AAMVA	AAMVA encode format
2	CADL	CADL encode format. Note that this reader can only read track 2 for this format. It cannot read tracks 1 and 3. However, this format is obsolete.
3	Blank	The card is blank.
4	Other	The card has a non-standard encode format. For example, ISO/ABA track 1 format on track 2.
5	Undetermined	The card encode type could not be determined because no tracks could be decoded.
6	None	No decode has occurred. This type occurs if no magnetic stripe data has been acquired since the data has been cleared or since the device was powered on. This device only sends an Input report when a card has been swiped so this value will never occur.
7	JIS Type 2	JIS Type 2 encode format. Before this encode type can be decoded, decoding must be enabled with the decode enable property. The JIS type 2 decoding option was not added until firmware with software ID 21042812K01 was release in October 2008.

TRACK DATA

If decodable track data exists for a given track, it is located in the track data field that corresponds to the track number. The length of each track data field is fixed at 110 bytes, but the length of valid data in each field is determined by the track data length field that corresponds to the track number. Track data located in positions greater than the track data length field indicates are undefined and should be ignored. The HID specification requires that reports be fixed in size, but the number of bytes encoded on a card may vary. Therefore, the Input Report always contains the maximum amount of bytes that can be encoded on the card and the number of valid bytes in each track is indicated by the track data length field. The track data is decoded and converted to ASCII. The track data includes all data starting with the start sentinel and ending with the end sentinel.

TRACK 1 DATA

This field contains the decoded track data for track 1.

TRACK 2 DATA

This field contains the decoded track data for track 2.

TRACK 3 DATA

This field contains the decoded track data for track 3.

COMMANDS

Most host applications do not need to send commands to the device. Most host applications only need to obtain card data from the device as described previously in this section. This section of the manual can be ignored by anyone who does not need to send commands to the device.

Command requests and responses are sent to and received from the device using feature reports. Command requests are sent to the device using the HID class specific request Set Report. The response to a command is retrieved from the device using the HID class specific request Get Report. These requests are sent over the default control pipe. When a command request is sent, the device will Nak the Status stage of the Set Report request until the command is completed. This insures that, as soon as the Set Report request is completed, the Get Report request can be sent to get the command response. The usage ID for the command message was shown previously in the Usage Table.

The following table shows how the feature report is structured for command requests:

Offset	Field Name
0	Command Number
1	Data Length
2 – 23	Data

The following table shows how the feature report is structured for command responses.

Offset	Field Name
0	Result Code
1	Data Length
2 – 23	Data

COMMAND NUMBER

This one-byte field contains the value of the requested command number. The following table lists all the existing commands.

Value (Hex)	Command Number	Description
00	GET PROPERTY	Gets a property from the device
01	SET PROPERTY	Sets a property in the device
02	RESET DEVICE	Resets the device

DATA LENGTH

This one-byte field contains the length of the valid data contained in the Data field.

DATA

This multi-byte field contains command data if any. Note that the length of this field is fixed at 22 bytes. Valid data should be placed in the field starting at offset 2. Any remaining data after the valid data should be set to zero. This entire field must always be set even if there is no valid

data. The HID specification requires that Reports be fixed in length. Command data may vary in length. Therefore, the Report should be filled with zeros after the valid data.

RESULT CODE

This one-byte field contains the value of the result code. There are two types of result codes: generic result codes and command-specific result codes. Generic result codes always have the most significant bit set to zero. Generic result codes have the same meaning for all commands and can be used by any command. Command-specific result codes always have the most significant bit set to one. Command-specific result codes are defined by the command that uses them. The same code can have different meanings for different commands. Command-specific result codes are defined in the documentation for the command that uses them. Generic result codes are defined in the following table.

Value (Hex)	Result Code	Description
00	SUCCESS	The command completed successfully.
01	FAILURE	The command failed.
02	BAD PARAMETER	The command failed due to a bad parameter or command syntax error.

GET AND SET PROPERTY COMMANDS

The Get Property command gets a property from the device. The Get Property command number is 0x00.

The Set Property command sets a property in the device. The Set Property command number is 0x01.

The Get and Set Property command data fields for the requests and responses are structured as follows:

Get Property Request Data:

Data Offset	Value
0	Property ID

Get Property Response Data:

Data Offset	Value
0 – n	Property Value

Set Property Request Data:

Data Offset	Value
0	Property ID
1 – n	Property Value

Set Property Response Data:

None

The result codes for the Get and Set Property commands can be any of the codes list in the generic result code table.

Property ID is a one-byte field that contains a value that identifies the property. The following table lists all the current property ID values:

Value (Hex)	Property ID	Description
00	SOFTWARE ID	The device's software identifier
01	SERIAL NUM	The key's serial number
02	POLLING INTERVAL	The interrupt pipe's polling interval
03	MAX PACKET SIZE	The interrupt pipe's packet size
04	TRACK ID ENABLE	Allows tracks to be disabled
10	INTERFACE TYPE	Type of USB interface
1A	DECODE ENABLE	Enables decoding for certain formats
52	HOST POLL TIMEOUT	Allows USB poll timeout to be adjusted

The Property Value is a multiple-byte field that contains the value of the property. The number of bytes in this field depends on the type of property and the length of the property. The following table lists all of the property types and describes them.

Property Type	Description
Byte	This is a one-byte value. The valid values depend on the property.
String	This is a multiple-byte ASCII string. Its length can be zero to a maximum length that depends on the property. The value and length of the string does not include a terminating NUL character.

SOFTWARE ID PROPERTY

Property ID: 0x00
 Property Type: String
 Length: Fixed at 11 bytes
 Get Property: Yes
 Set Property: No
 Description: This is an 11-byte read only property that identifies the software part number and version for the device. The first 8 bytes represent the part number and the last 3 bytes represent the version. For example this string might be "21042812D01". Examples follow:

Example Get **Software ID** property Request (Hex):

Cmd Num	Data Len	Prp ID
00	01	00

Example Get **Software ID** property Response (Hex):

Result Code	Data Len	Prp Value
00	01	32 31 30 34 32 38 31 32 44 30 31

SERIAL NUM PROPERTY

Property ID: 0x01
Property Type: String
Length: 0 – 15 bytes
Get Property: Yes
Set Property: Yes
Default Value: The default value is no string with a length of zero.
Description: The value is an ASCII string that represents the key's serial number. This string can be 0 – 15 bytes long. The value of this property, if any, will be sent to the host when the host requests the USB string descriptor.

This property is stored in non-volatile memory, so it will persist when the unit is power cycled. When this property is changed, the unit must be reset (see Command Number 2) or power cycled to have these changes take effect.

Example Set **Serial Num** property Request (Hex):

Cmd Num	Data Len	Prp ID	Prp Value
01	04	01	31 32 33

Example Set **Serial Num** property Response (Hex):

Result Code	Data Len	Data
00	00	

Example Get **Serial Num** property Request (Hex):

Cmd Num	Data Len	Prp ID
00	01	01

Example Get **Serial Num** property Response (Hex):

Result Code	Data Len	Prp Value
00	03	31 32 33

POLLING INTERVAL PROPERTY

Property ID: 0x02
Property Type: Byte
Length: 1 byte
Get Property: Yes
Set Property: Yes
Default Value: 10
Description: The value is a byte that represents the devices polling interval for the Interrupt In Endpoint. The value can be set in the range of 1 – 255 and has units of milliseconds. The polling interval tells the host how often to poll the device for card data packets. For example, if the polling interval is set to 10, the host will poll the device for card data packets every 10ms. This property can be used to speed up or slow down the time it takes to send card data to the host. The trade-off is that speeding up the card data transfer rate increases the USB bus bandwidth used by the device, and slowing down the card data transfer rate decreases the USB bus bandwidth used by the device. The value of this

property, if any, will be sent to the host when the host requests the device's USB endpoint descriptor.

This property is stored in non-volatile memory, so it will persist when the unit is power cycled. When this property is changed, the unit must be reset (see Command Number 2) or power cycled to have these changes take effect.

Example Set **Polling Interval** property Request (Hex):

Cmd Num	Data Len	Prp ID	Prp Value
01	02	02	0A

Example Set **Polling Interval** property Response (Hex):

Result Code	Data Len	Data
00	00	

Example Get **Polling Interval** property Request (Hex):

Cmd Num	Data Len	Prp ID
00	01	02

Example Get **Polling Interval** property Response (Hex):

Result Code	Data Len	Prp Value
00	01	0A

MAX PACKET SIZE PROPERTY

Property ID: 0x03
Property Type: Byte
Length: 1 byte
Get Property: Yes
Set Property: Yes
Default Value: 8

Description: The value is a byte that represents the devices maximum packet size for the Interrupt In Endpoint. The value can be set in the range of 1 – 64 and has units of bytes. The maximum packet size tells the host the maximum size of the Interrupt In Endpoint packets. For example, if the maximum packet size is set to 8, the device will send HID reports in multiple packets of 8 bytes each or less for the last packet of the report. This property can be used to speed up or slow down the time it takes to send card data to the host. Larger packet sizes speed up communications and smaller packet sizes slow down communications. The trade-off is that speeding up the card data transfer rate increases the USB bus bandwidth used by the device, and slowing down the card data transfer rate decreases the USB bus bandwidth used by the device. The value of this property will be sent to the host when the host requests the device's USB endpoint descriptor.

This property is stored in non-volatile memory, so it will persist when the unit is power cycled. When this property is changed, the unit must be reset (see Command Number 2) or power cycled to have these changes take effect.

Example Set **Max Packet Size** property Request (Hex):

Cmd Num	Data Len	Prp ID	Prp Value
01	02	03	08

Example Set **Max Packet Size** property Response (Hex):

Result Code	Data Len	Data
00	00	

Example Get **Max Packet Size** property Request (Hex):

Cmd Num	Data Len	Prp ID
00	01	03

Example Get **Max Packet Size** property Response (Hex):

Result Code	Data Len	Prp Value
00	01	08

TRACK ID ENABLE PROPERTY

Property ID: 0x04
 Property Type: Byte
 Length: 1 byte
 Get Property: Yes
 Set Property: Yes
 Default Value: 0x95
 Description: This property is defined as follows:

id	0	T ₃	T ₃	T ₂	T ₂	T ₁	T ₁
----	---	----------------	----------------	----------------	----------------	----------------	----------------

Id 0 – Decodes standard ISO/ABA cards only
 1 – Decodes AAMVA and 7-bit cards also

T_# 00 – Track Disabled
 01 – Track Enabled
 10 – Track Enabled/Required (Error if blank)

This property is stored in non-volatile memory, so it will persist when the unit is power cycled. When this property is changed, the unit must be reset (see Command Number 2) or power cycled to have these changes take effect.

Example Set **Track ID Enable** property Request (Hex):

Cmd Num	Data Len	Prp ID	Prp Value
01	02	04	95

Example Set **Track ID Enable** property Response (Hex):

Result Code	Data Len	Data
00	00	

Example Get **Track ID Enable** property Request (Hex):

Cmd Num	Data Len	Prp ID
00	01	04

Example Get **Track ID Enable** property Response (Hex):

Result Code	Data Len	Prp Value
00	01	95

INTERFACE TYPE PROPERTY

Property ID: 0x10

Property Type: Byte

Length: 1 byte

Get Property: Yes

Set Property: Yes

Default Value: 0x00 (HID)

Description: The value is a byte that represents the devices interface type. The value can be set to 0 for the HID interface or to 1 for the keyboard emulation interface. When the value is set to 0 (HID) the device will behave as described in the HID manual. When the value is set to 1 (keyboard emulation) the device will behave as described in the keyboard emulation manual. This property should be the first property changed because it affects which other properties are available. After this property is changed, the device should be power cycled before changing any other properties.

This property is stored in non-volatile memory, so it will persist when the unit is power cycled. When this property is changed, the unit must be reset (see Command Number 2) or power cycled to have these changes take effect.

Example Set **Interface Type** property to Keyboard Emulation Request (Hex):

Cmd Num	Data Len	Prp ID	Prp Value
01	02	10	01

Example Set **Interface Type** property Response (Hex):

Result Code	Data Len	Data
00	00	

Example Get **Interface Type** property Request (Hex):

Cmd Num	Data Len	Prp ID
00	01	10

Example Get **Interface Type** property Response (Hex):

Result Code	Data Len	Prp Value
00	01	01

DECODE ENABLE PROPERTY

Property ID: 0x1A
Property Type: Byte
Length: 1 byte
Get Property: Yes
Set Property: Yes
Default Value: 0x00
Description: This property is defined as follows:

Bit Position	7	6	5	4	3	2	1	0
Decode Type	Reserved	Reserved	Reserved	Reserved	Reserved	Reserved	Reserved	JIS Type 2

When a decode type bit is set to 1 (true), the decode type represented by that bit is enabled. When a decode type bit is set to 0 (false), the decode type represented by that bit is disabled. The reserved decode type bits should always be set to zero.

This property is stored in non-volatile memory, so it will persist when the unit is power cycled. When this property is changed, the unit must be reset (see Command Number 2) or power cycled to have these changes take effect.

Note

The JIS type 2 decoding option was not added until firmware with software ID 21042812K01 was release in October 2008.

Example Set property Request (Hex):

Cmd Num	Data Len	Prp ID	Prp Value
01	02	1A	01 (enable JIS Type 2 decode type)

Example Set property Response (Hex):

Result Code	Data Len	Data
00	00	

Example Get property Request (Hex):

Cmd Num	Data Len	Prp ID
00	01	1A

Example Get property Response (Hex):

Result Code	Data Len	Prp Value
00	01	01

HOST POLL TIMEOUT PROPERTY

Property ID: 0x52
Property Type: Byte
Length: 1 byte
Get Property: Yes
Set Property: Yes
Default Value: 0x02 (2 seconds)
Description: This property can be used to adjust the device's host poll timeout. The property can be set to 0 to disable the timeout or it can be set to a value in the range of 1 to 60 seconds.

The host poll timeout was added around the year 2010 because if a USB suspend occurred while the reader was in the middle of transmitting card data to the host, the reader would no longer be able to read cards until power cycled. It was given a fixed value of 2 seconds. If a USB suspend now occurred while the reader was transmitting card data, this timeout would occur and the remainder of the card data would be discarded and the reader would be ready to read the next card once it got a USB resume signal. Getting a USB suspend while transmitting card data is not an event that would be expected to occur under normal operating conditions, however a customer was seeing this occur due to abnormal USB bus activity from other devices on the bus.

Around the year 2012, starting with firmware part number 21042886 Revision C.01, this timeout was made adjustable with this property so that it could be disabled or adjusted. This property was added because some printers, made by HP and used as a host in this application, were occasionally ceasing to poll the reader for more than two seconds which would cause a timeout to occur which would in turn cause the host application to have problems. The timeout was disabled to resolve this problem. The printer was not behaving properly in this case. This problem would not be expected to occur on an error free USB Bus.

Not all readers contain this timeout and not all readers contain this property to adjust it.

This property is stored in non-volatile memory, so it will persist when the unit is power cycled. When this property is changed, the unit must be reset (see Command Number 2) or power cycled to have these changes take effect.

Example Set HOST POLL TIMEOUT property Request (Hex):

Cmd Num	Data Len	Prp ID	Prp Value
01	02	52	02

Example Set HOST POLL TIMEOUT property Response (Hex):

Result Code	Data Len	Data
00	00	

Example Get HOST POLL TIMEOUT property Request (Hex):

Cmd Num	Data Len	Prp ID
00	01	52

Example Get HOST POLL TIMEOUT property Response (Hex):

Result Code	Data Len	Prp Value
00	01	02

RESET DEVICE COMMAND

Command number: 0x02

Description: This command is used to reset the device. This command can be used to make previously changed properties take affect without having to unplug and then plug in the device. When the device resets, it automatically does a USB detach followed by an attach. After the host sends this command to the device it should close the USB port, wait a few seconds for the operating system to handle the device detach followed by the attach and then re-open the USB port before trying to communicate further with the device.

Data structure: No data is sent with this command

Result codes: 0 (success)

Example Request (Hex):

Cmd Num	Data Len	Data
02	00	

Example Response (Hex):

Result Code	Data Len	Data
00	00	

SECTION 5. DEMO PROGRAM

The demo program, which is written in Visual Basic, can be used to do the following:

- Read cards from the device and view the card data
- Send command requests to the device and view the command responses
- Guide application developers in their application development by providing examples, in source code, of how to properly communicate with the device using the standard Windows APIs

The part numbers for the demo program can be found in this document in Section 1 under Accessories.

INSTALLATION

To install the demo program, run the setup.exe file and follow the instructions given on the screen.

OPERATION

To operate the demo program perform the following steps:

- Attach the device to a USB port on the host.
- If this is the first time the device has been plugged into the host, then follow the instructions on the screen for installing the Windows HID device driver. This is explained in more detail in the installation section of this document.
- Run the demo program.
- To read cards and view the card data, click on the Read Cards button and swipe a card when prompted to do so.
- When finished reading cards, close the dialog box.
- To send commands to the device, click on the send commands button.
- Enter a command in the Message edit box. All data entered should be in hexadecimal bytes with a space between each byte. Enter the command number followed by the command data if there is any. **The application will automatically calculate and send the command data length for you.** For example, to send the GET PROPERTY command for property SOFTWARE ID enter 00 00.
- Press Enter or click on Send message to send the command and receive the result.
- The command request and the command result will be displayed in the Communications Dialog edit box.
- The Clear Dialog button clears the Communication Dialog edit box.

SOURCE CODE

Source code is included with the demo program. It can be used as a guide for application development. It is described in detail, with comments, to assist developers. The book *USB Complete* by Jan Axelson is also a good guide for application developers, especially the chapter on Human Interface Device Host Applications (see “Reference Documents” in Section 1).

APPENDIX A. DRAWINGS

The following drawings are provided in this section:

Part Number Title

21030006	USB HID IntelliHead, 3-Track, 125mm wire, 5-Pin Molex Connector
21030010	USB HID IntelliHead, 3 Track, 440mm wire, 5-Pin Molex (Reverse pin out)
21030042	USB HID IntelliHead, 3 Track, 4.05mm Beam Arm, 5-Pin Molex
21040124	USB HID IntelliHead, 3-Track, 6' Cable, USB-A Connector, 100mm Black body
21040128	USB HID IntelliHead, 3-Track, 6" Cable, USB-A Connector, 100mm Black body
21044000	USB HID IntelliHead, 3-Track, 125mm wire, 5-pin Molex Connector, 43mm rail
21045087	USB HID IntelliHead, 3 Track, 125mm wire, 5-Pin Molex Connector, 90mm body
21046003	USB HID IntelliHead, 3-Track, 125mm wire, 5-pin Molex Connector, 60mm Slim Profile
21047011	USB HID IntelliHead, 3-Track, 125mm wire, 5-Pin Molex Connector, 90mm Slim Profile
21047022	USB HID IntelliHead, 3-Track, 125mm wire, 5-Pin Molex Connector, Slim Profile (PAX)

USB HID IntelliHead Swipe Reader

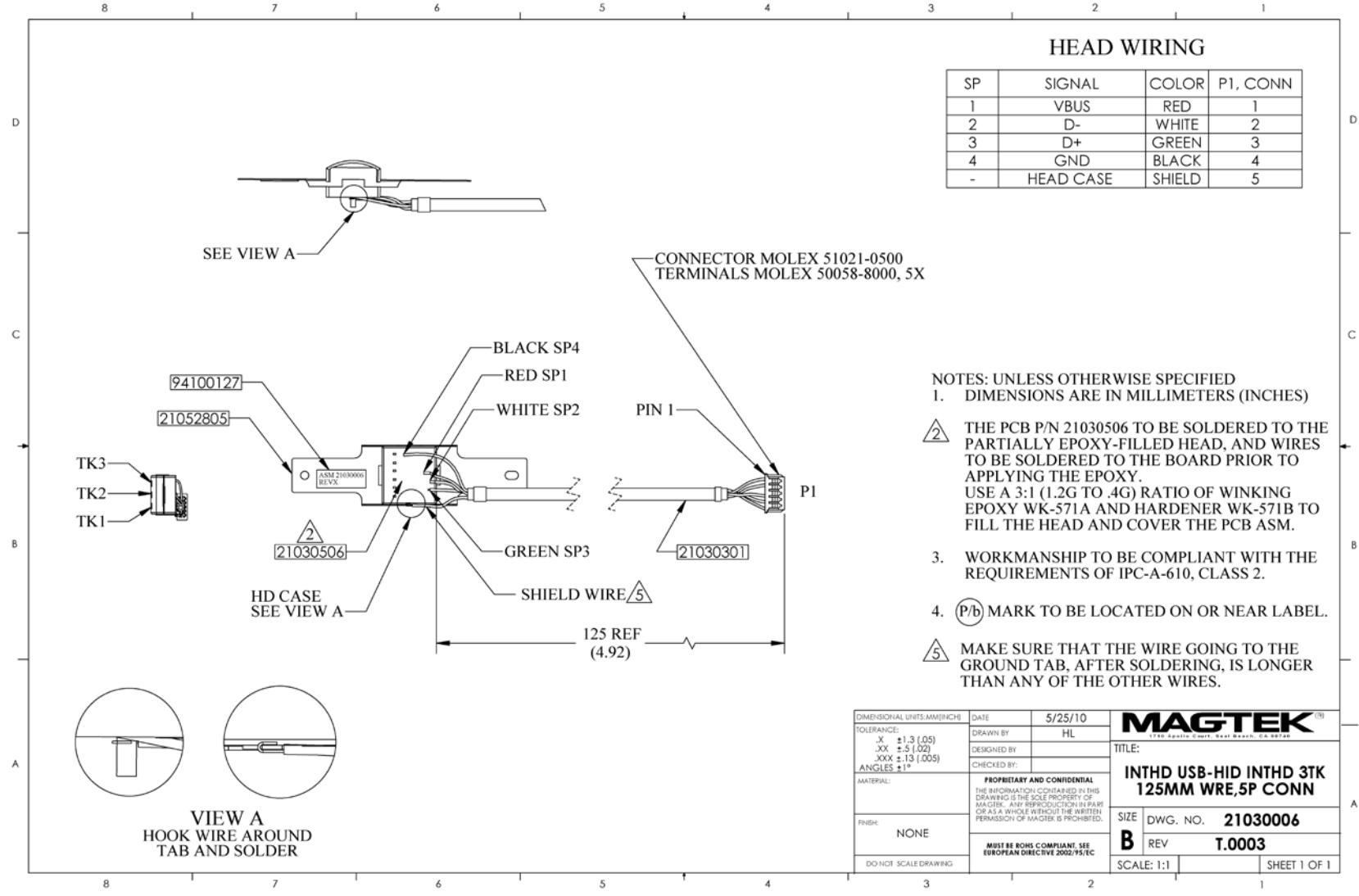


Figure A-1. USB HID IntelliHead, 3-Track, 125mm Wire, 5-Pin Connector

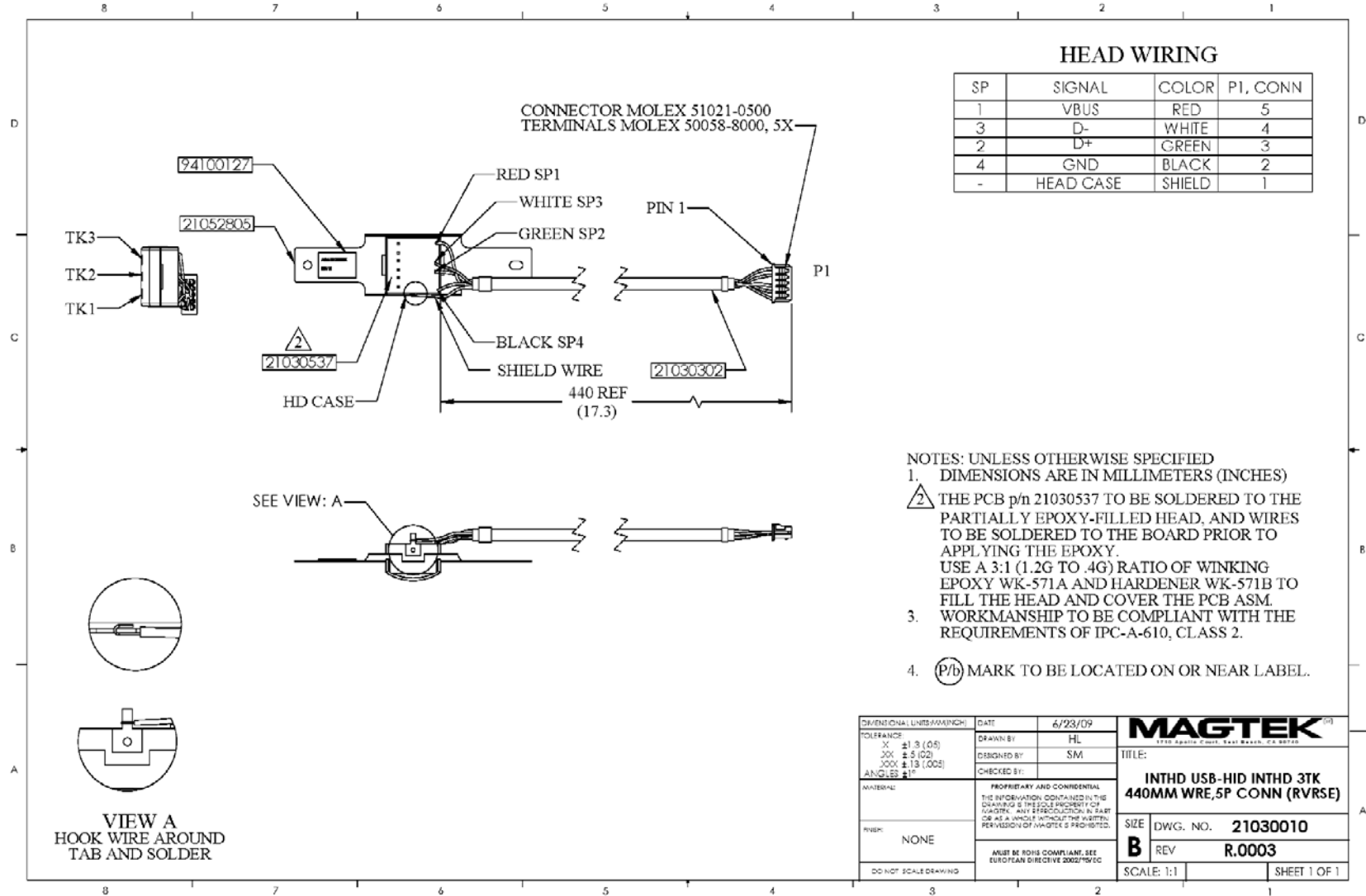


Figure A-2. USB HID IntelliHead, 3-Track, 440mm Wire, 5-Pin Reverse Connector

USB HID IntelliHead Swipe Reader

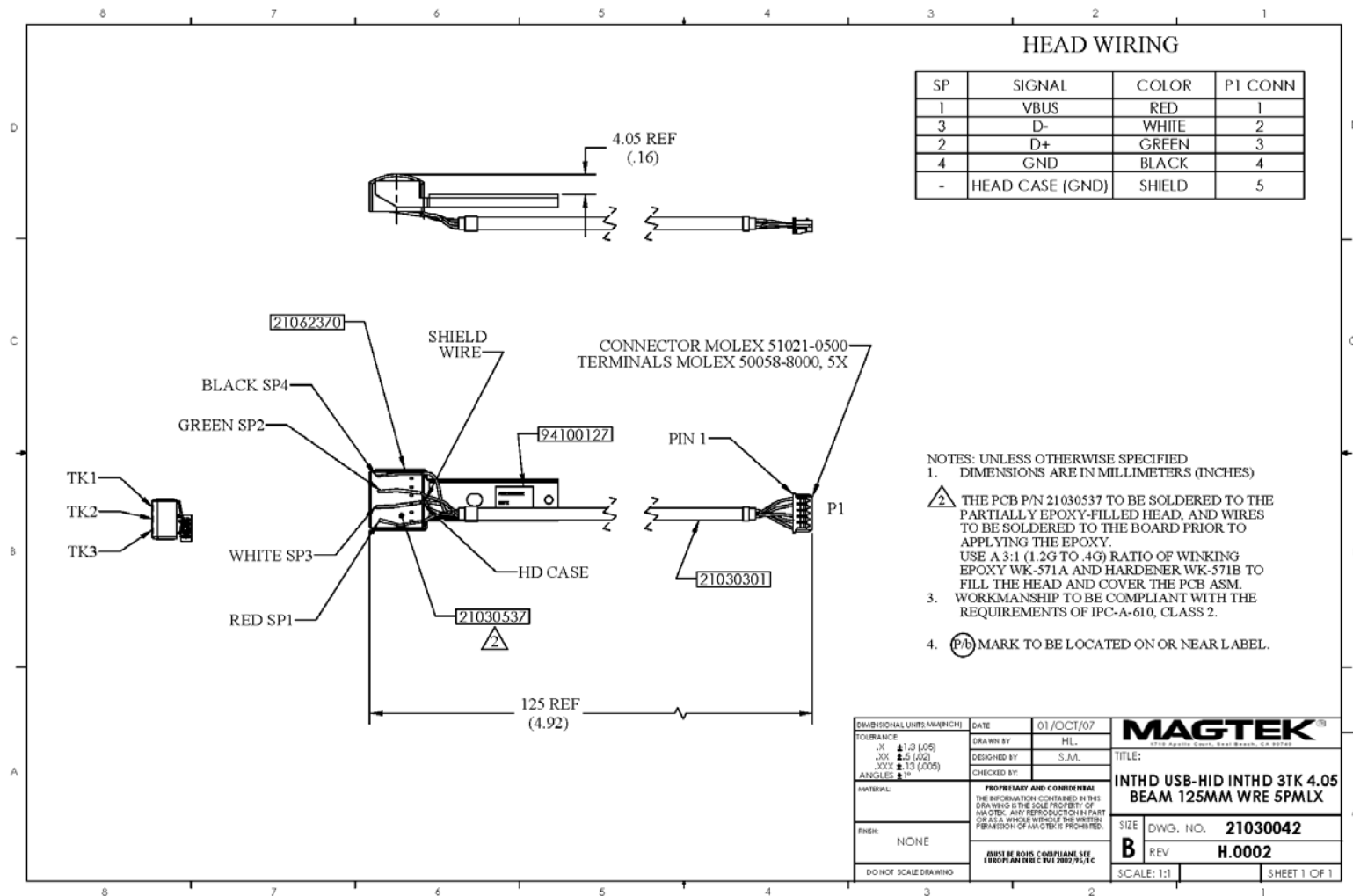


Figure A-3. USB HID IntelliHead, 3-Track, 125mm Wire, 4.05mm Beam Arm, 5-Pin Molex

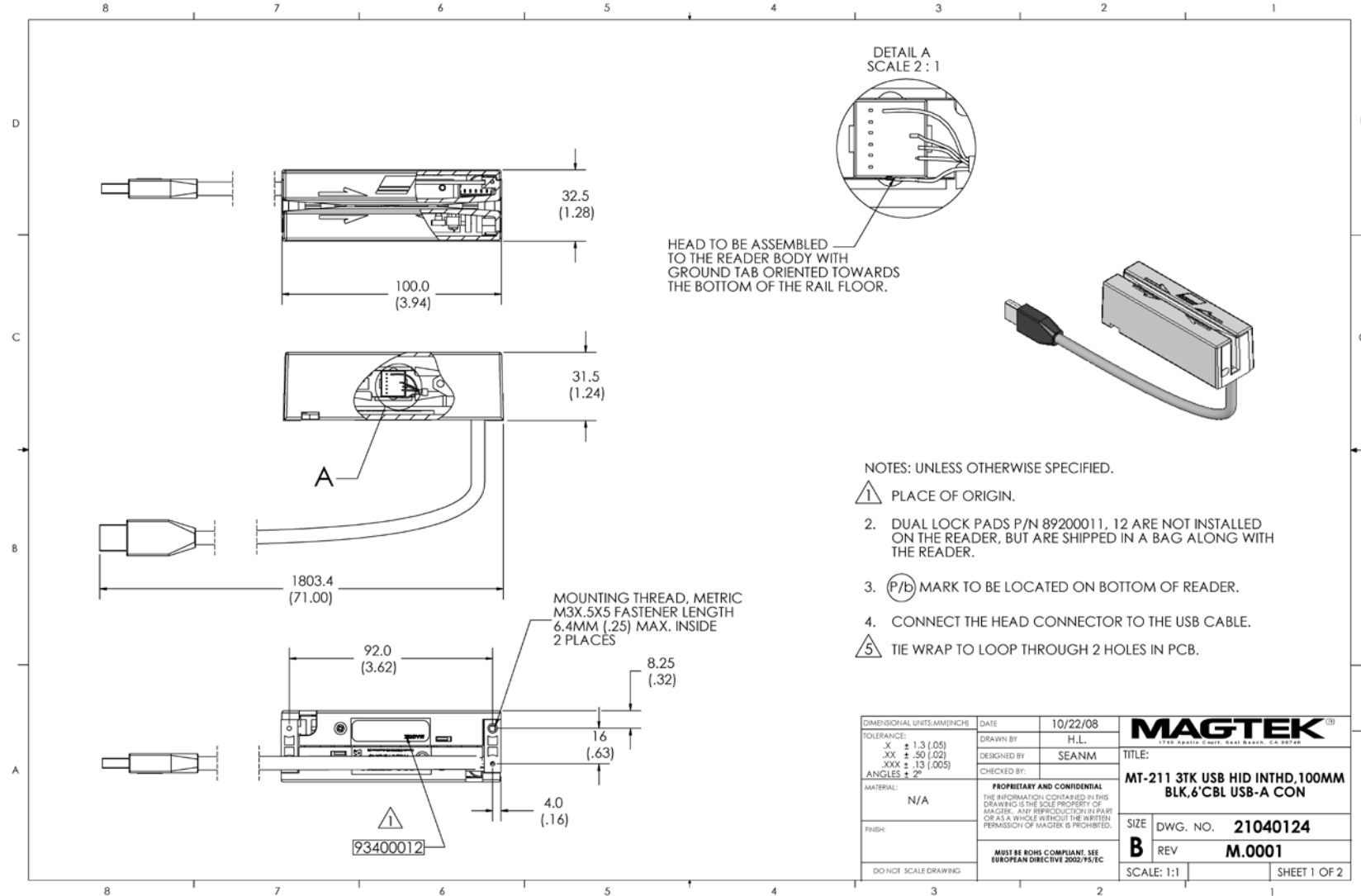


Figure A-4. USB HID IntelliHead, 3-Track, 6' Cable, USB-A Connector, 100mm Black

USB HID IntelliHead Swipe Reader

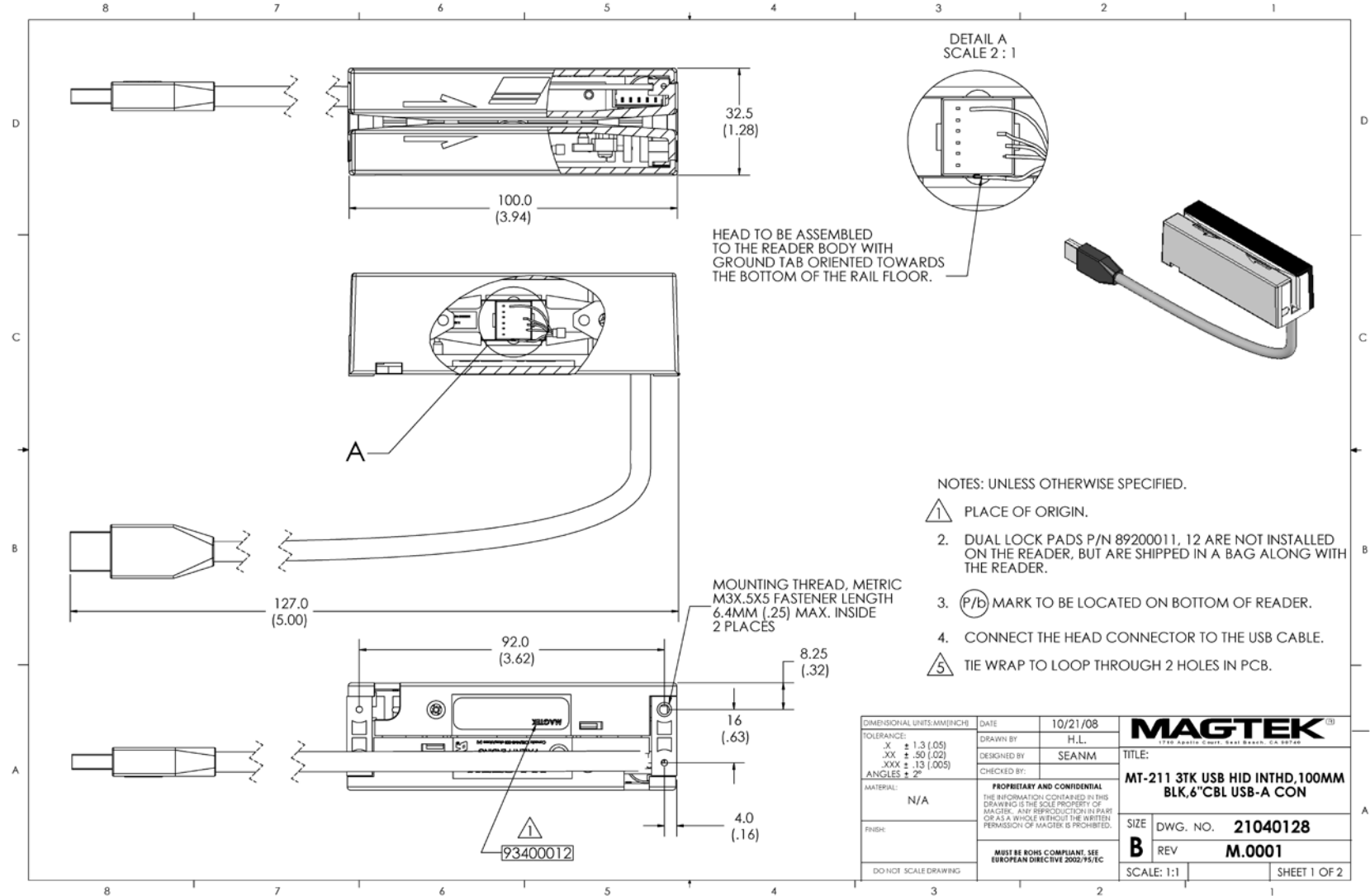


Figure A-5. USB HID IntelliHead, 3-Track, 6" Cable, USB-A Connector, 100mm Black

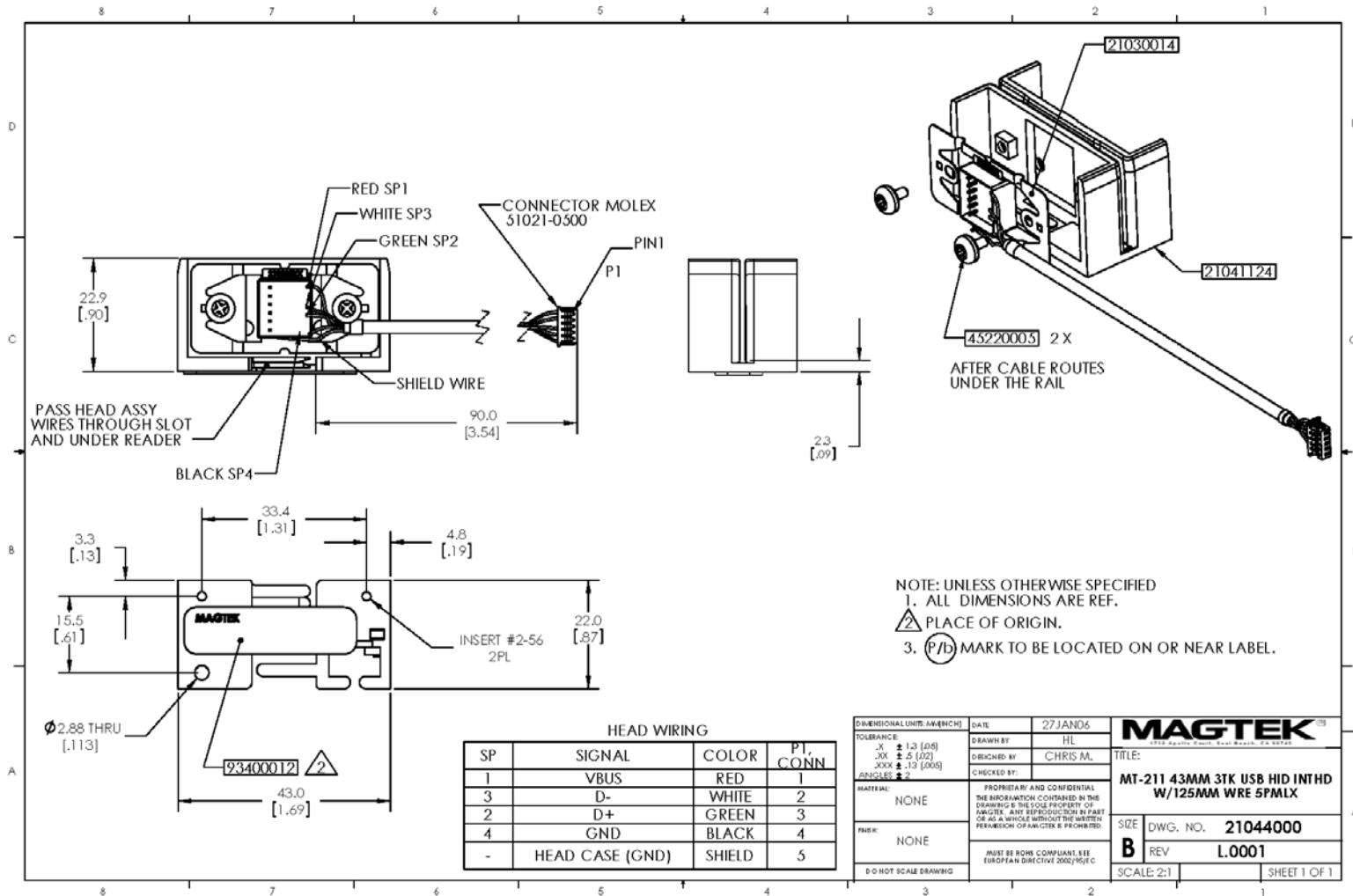


Figure A-6. USB HID IntelliHead, 3-Track, 125mm Wire, 5-pin Molex connector, 43mm rail

USB HID IntelliHead Swipe Reader

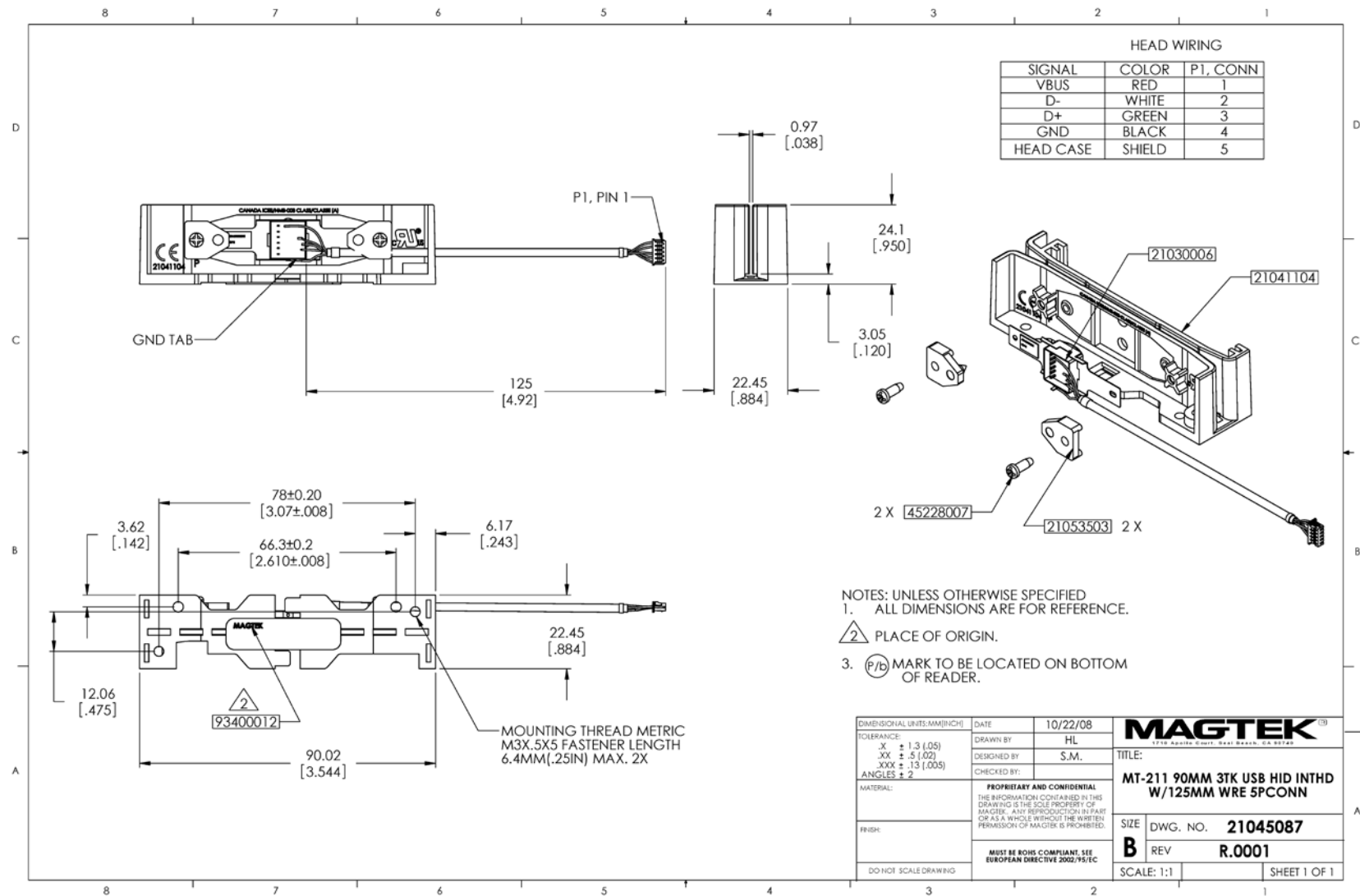


Figure A-7. USB HID IntelliHead, 3-Track, 125mm Wire, 5-pin Connector, 90mm rail

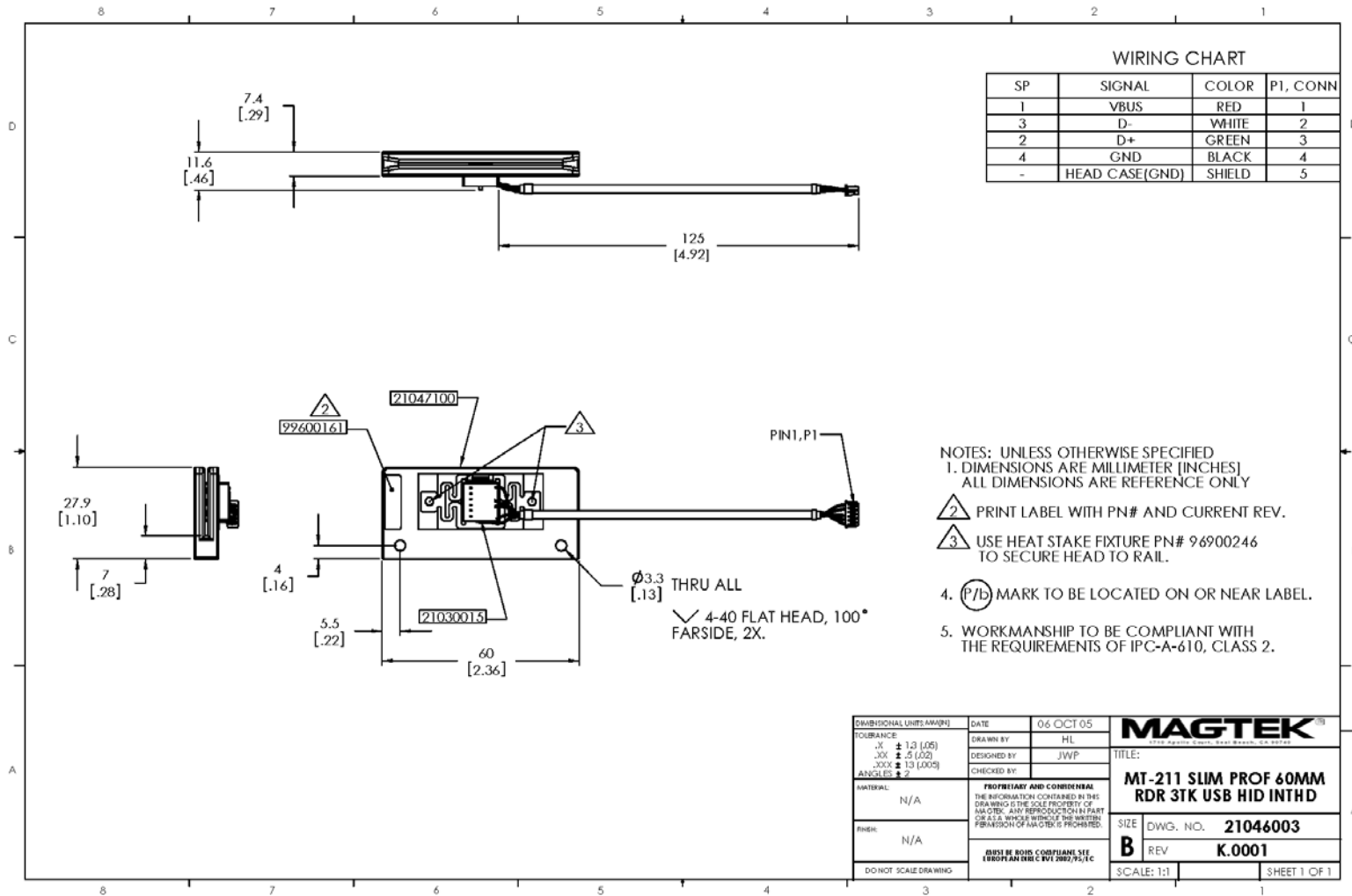


Figure A-8. USB HID IntelliHead, 3-Track, 125mm Wire, 5-pin Molex Connector, 60mm Slim Profile

USB HID IntelliHead Swipe Reader

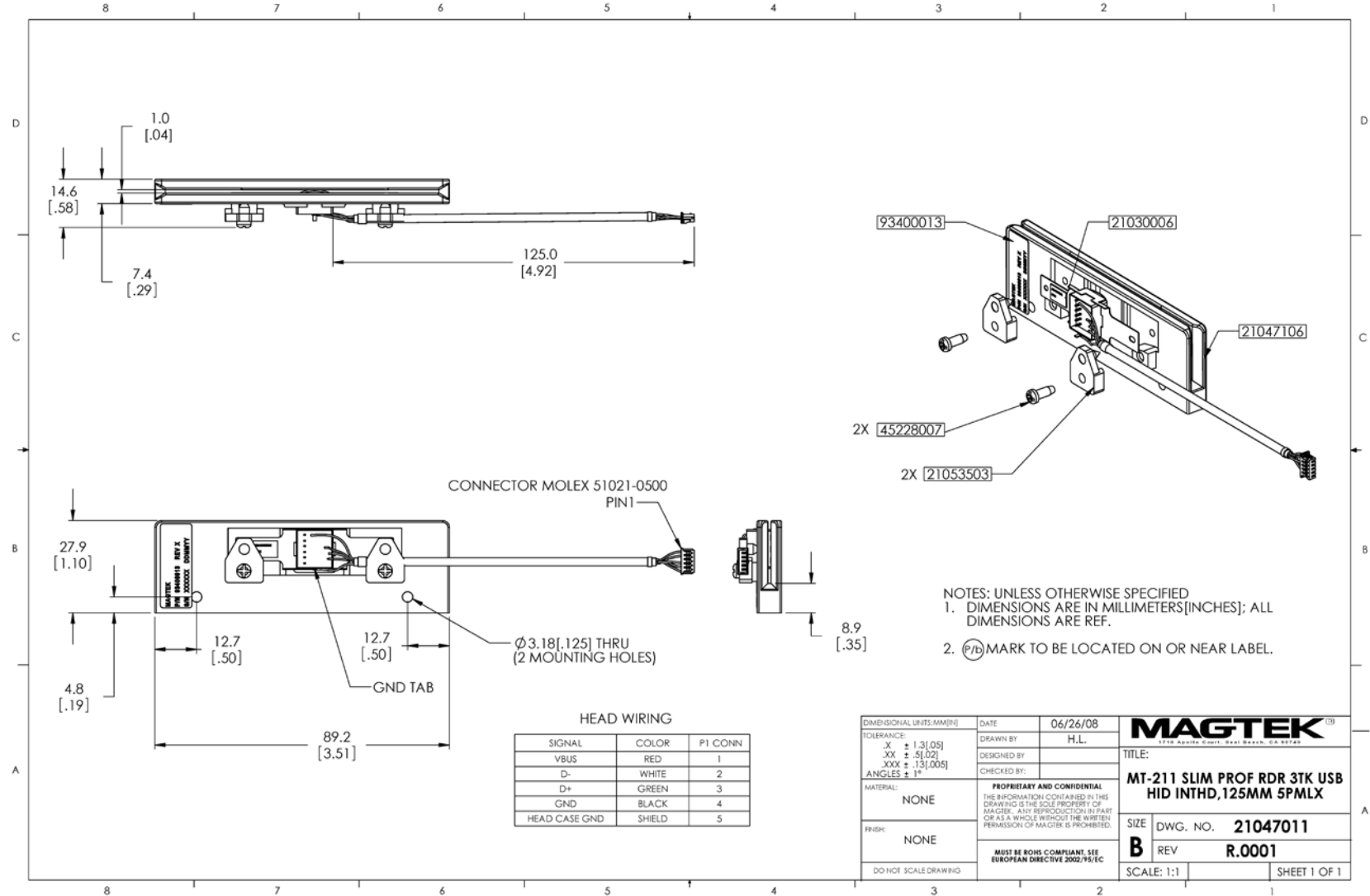


Figure A-9. USB HID IntelliHead, 3-Track, 125mm Wire, 5-pin Molex Connector, 90mm Slim Profile

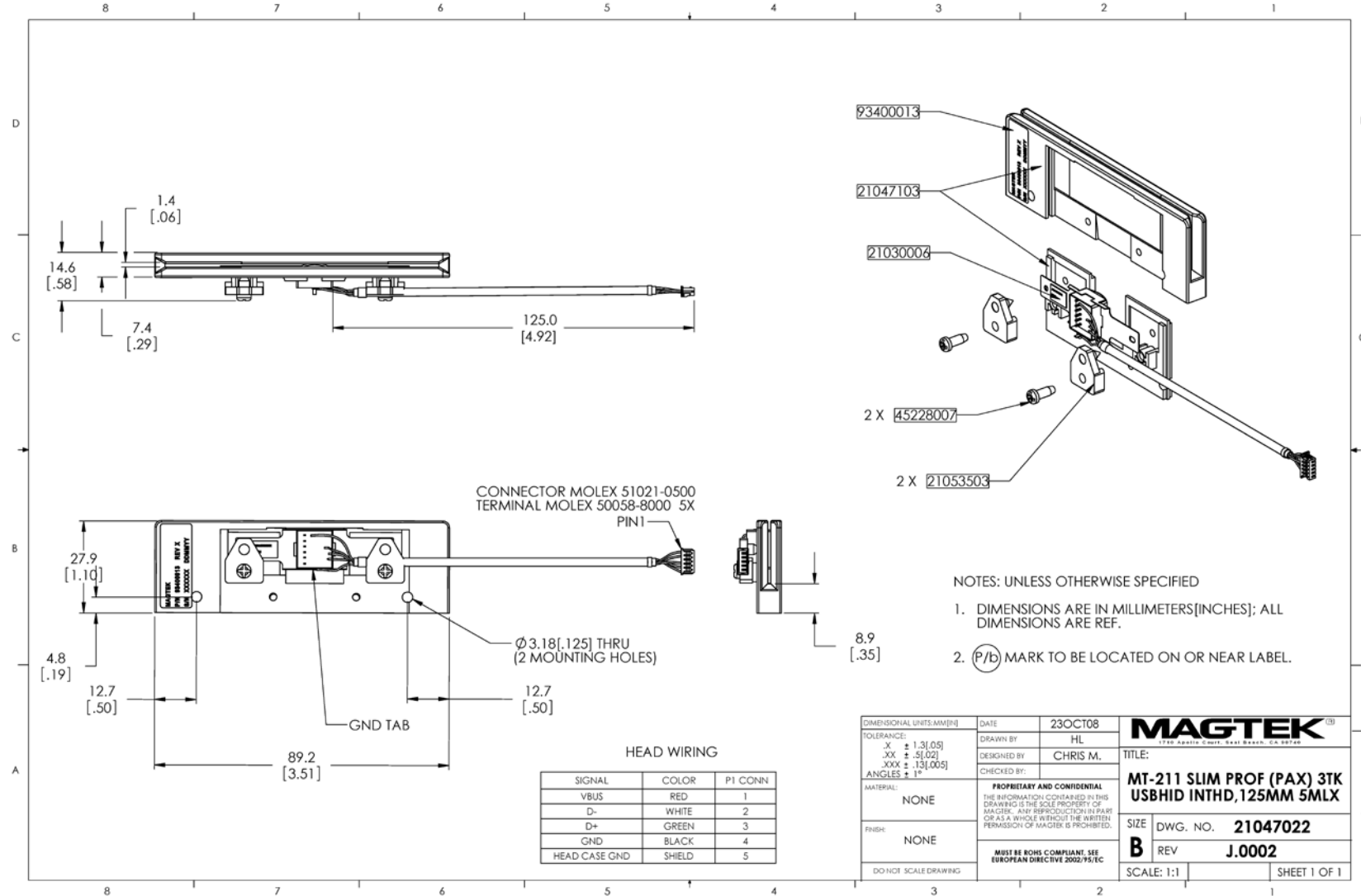


Figure A-10. USB HID IntelliHead, 3-Track, 125mm Wire, 5-pin Molex Connector, Slim Profile (PAX)