

# **PORT POWERED SWIPE READER TECHNICAL REFERENCE MANUAL**

**Manual Part Number 99875094 Rev 17**

**JUNE 2010**

**MAGTEK<sup>®</sup>**  
**REGISTERED TO ISO 9001:2008**  
1710 Apollo Court  
Seal Beach, CA 90740  
Phone: (562) 546-6400  
FAX: (562) 546-6301  
Technical Support: (651) 415-6800  
[www.magtek.com](http://www.magtek.com)

Information in this document is subject to change without notice. No part of this document may be reproduced or transmitted in any form or by any means, electronic or mechanical, for any purpose, without the express written permission of MagTek, Inc.

MagTek is a registered trademark of MagTek, Inc.

### REVISIONS

Rev Number	Date	Notes
1	11 Dec 97	Initial Release
2	18 Dec 97	Sec 1 Changed spec Dimensions; Sec 1, 3 Changed illustrations for clarity.
3	11 May 98	Sections 1, 2, and 3 revised to reflect latest firmware revisions. Sec 4 deleted.
4	15 Jun 98	Two part numbers added.
5	1 Mar 99	Sec 1, Added 3 part numbers, changed specs, Changed Dimensions Figure 1-3, removed Figure 1-4, Mounting Dimensions, added MagTek Windows Drivers; Added note to Table 1-1. Section 2, added mounting instructions and Figure 2-1, Mounting Dimensions. Section 3, added 3 track symbols to Table 3-1 and 3 sign-on configurations to 3-2.
6	14 Jun 99	Title change, Removed MT-211 and RS-232; Sec 1, Table 1-1, added Pin List for Cable 21040077, added RS-232 Communication; Sec 2, added Demo Program from Net; Sec 3, Clarified Fig 3-1, Described firmware P/Ns and revisions.
7	1 Dec 99	Section 1: Added P/N 21040084, Updated table for 9- and 25-pin connectors; Section 3: Added P/N 21040084 to Sign-on table.
8	21 Sep 00	Editorial changes throughout. Sec 1: Configuration list expanded and moved to Sec 3; Specification weight changed from 5.9 oz to 5.8oz, Converted symbols to Metric System [SI]. Sec 3: Added 5 new part numbers with firmware, tracks, and configurations.
9	09 Mar 01	Front Matter: Corrected Agency Approvals to include Class B for FCC and Class B for CE. Changed RMA Warranty address to 20801 S. Annalee. Section 3: Removed "Track 3 – 7 bit" line from Table 3-1. Added 094 and 096 configurations in Table 3-2.
10	25 Jul 01	Front Matter: Agency Approvals: Corrected Class B for CE and Corrected UL and CUL. Copyright 2001 added.
11	24 Apr 03	Front Matter: added ISO line to logo, changed Tech Support phone number, added new warranty statement; Sec 3: added 2 new part numbers at the end of Table 3-2.
12	23 Jun 03	Editorial throughout. Section 3: Removed the following parts from Table 3-2: 21040073, 21040077, 21040084, 21040089.
13	11 May 04	Sec 1: Specifications, corrected cable length.
14	10 Jan 06	Updated specifications to reflect new models. Added commands to support modification of properties (Section 4).
15	23 Feb 06	Sec 3: Timing for Sign-on ID changed from 150 to a range from 150 to 330ms. Sec 4: Sending of <CR> when using Reset Device Command follows SB switch setting.
16	2 Feb 07	Clarified port powered operation
17	1 Jun 10	Formatting changes and updated Limited Warranty & Agency Approvals. Removed PN 21040088.

## LIMITED WARRANTY

MagTek warrants that the products sold pursuant to this Agreement will perform in accordance with MagTek's published specifications. This warranty shall be provided only for a period of one year from the date of the shipment of the product from MagTek (the "Warranty Period"). This warranty shall apply only to the "Buyer" (the original purchaser, unless that entity resells the product as authorized by MagTek, in which event this warranty shall apply only to the first repurchaser).

During the Warranty Period, should this product fail to conform to MagTek's specifications, MagTek will, at its option, repair or replace this product at no additional charge except as set forth below. Repair parts and replacement products will be furnished on an exchange basis and will be either reconditioned or new. All replaced parts and products become the property of MagTek. This limited warranty does not include service to repair damage to the product resulting from accident, disaster, unreasonable use, misuse, abuse, negligence, or modification of the product not authorized by MagTek. MagTek reserves the right to examine the alleged defective goods to determine whether the warranty is applicable.

Without limiting the generality of the foregoing, MagTek specifically disclaims any liability or warranty for goods resold in other than MagTek's original packages, and for goods modified, altered, or treated without authorization by MagTek.

Service may be obtained by delivering the product during the warranty period to MagTek (1710 Apollo Court, Seal Beach, CA 90740). If this product is delivered by mail or by an equivalent shipping carrier, the customer agrees to insure the product or assume the risk of loss or damage in transit, to prepay shipping charges to the warranty service location, and to use the original shipping container or equivalent. MagTek will return the product, prepaid, via a three (3) day shipping service. A Return Material Authorization ("RMA") number must accompany all returns. Buyers may obtain an RMA number by contacting Technical Support at (888) 624-8350.

**EACH BUYER UNDERSTANDS THAT THIS MAGTEK PRODUCT IS OFFERED AS IS. MAGTEK MAKES NO OTHER WARRANTY, EXPRESS OR IMPLIED, AND MAGTEK DISCLAIMS ANY WARRANTY OF ANY OTHER KIND, INCLUDING ANY WARRANTY OF MERCHANTABILITY OR FITNESS FOR A PARTICULAR PURPOSE.**

IF THIS PRODUCT DOES NOT CONFORM TO MAGTEK'S SPECIFICATIONS, THE SOLE REMEDY SHALL BE REPAIR OR REPLACEMENT AS PROVIDED ABOVE. MAGTEK'S LIABILITY, IF ANY, SHALL IN NO EVENT EXCEED THE TOTAL AMOUNT PAID TO MAGTEK UNDER THIS AGREEMENT. IN NO EVENT WILL MAGTEK BE LIABLE TO THE BUYER FOR ANY DAMAGES, INCLUDING ANY LOST PROFITS, LOST SAVINGS, OR OTHER INCIDENTAL OR CONSEQUENTIAL DAMAGES ARISING OUT OF THE USE OF, OR INABILITY TO USE, SUCH PRODUCT, EVEN IF MAGTEK HAS BEEN ADVISED OF THE POSSIBILITY OF SUCH DAMAGES, OR FOR ANY CLAIM BY ANY OTHER PARTY.

### LIMITATION ON LIABILITY

EXCEPT AS PROVIDED IN THE SECTIONS RELATING TO MAGTEK'S LIMITED WARRANTY, MAGTEK'S LIABILITY UNDER THIS AGREEMENT IS LIMITED TO THE CONTRACT PRICE OF THIS PRODUCT.

MAGTEK MAKES NO OTHER WARRANTIES WITH RESPECT TO THE PRODUCT, EXPRESSED OR IMPLIED, EXCEPT AS MAY BE STATED IN THIS AGREEMENT, AND MAGTEK DISCLAIMS ANY IMPLIED WARRANTY, INCLUDING WITHOUT LIMITATION ANY IMPLIED WARRANTY OF MERCHANTABILITY OR FITNESS FOR A PARTICULAR PURPOSE.

MAGTEK SHALL NOT BE LIABLE FOR CONTINGENT, INCIDENTAL, OR CONSEQUENTIAL DAMAGES TO PERSONS OR PROPERTY. MAGTEK FURTHER LIMITS ITS LIABILITY OF ANY KIND WITH RESPECT TO THE PRODUCT, INCLUDING ANY NEGLIGENCE ON ITS PART, TO THE CONTRACT PRICE FOR THE GOODS.

MAGTEK'S SOLE LIABILITY AND BUYER'S EXCLUSIVE REMEDIES ARE STATED IN THIS SECTION AND IN THE SECTION RELATING TO MAGTEK'S LIMITED WARRANTY.

## **FCC WARNING STATEMENT**

This equipment has been tested and was found to comply with the limits for a Class B digital device pursuant to Part 15 of FCC Rules. These limits are designed to provide reasonable protection against harmful interference when the equipment is operated in a residential environment. This equipment generates, uses, and can radiate radio frequency energy and, if not installed and used in accordance with the instruction manual, may cause harmful interference with radio communications. However, there is no guarantee that interference will not occur in a particular installation.

## **FCC COMPLIANCE STATEMENT**

This device complies with Part 15 of the FCC Rules. Operation of this device is subject to the following two conditions: (1) this device may not cause harmful interference, and (2) this device must accept any interference received, including interference that may cause undesired operation.

## **CANADIAN DOC STATEMENT**

This digital apparatus does not exceed the Class B limits for radio noise from digital apparatus set out in the Radio Interference Regulations of the Canadian Department of Communications.

Le présent appareil numérique n'émet pas de bruits radioélectriques dépassant les limites applicables aux appareils numériques de la classe B prescrites dans le Règlement sur le brouillage radioélectrique édicté par le ministère des Communications du Canada.

This Class B digital apparatus complies with Canadian ICES-003.

Cet appareil numérisé de la classe B est conforme à la norme NMB-003 du Canada.


## **CE STANDARDS**

Testing for compliance with CE requirements was performed by an independent laboratory. The unit under test was found compliant with standards established for Class B devices.

## **UL/CSA**

This product is recognized per Underwriter Laboratories and Canadian Underwriter Laboratories 1950.

## **RoHS STATEMENT**

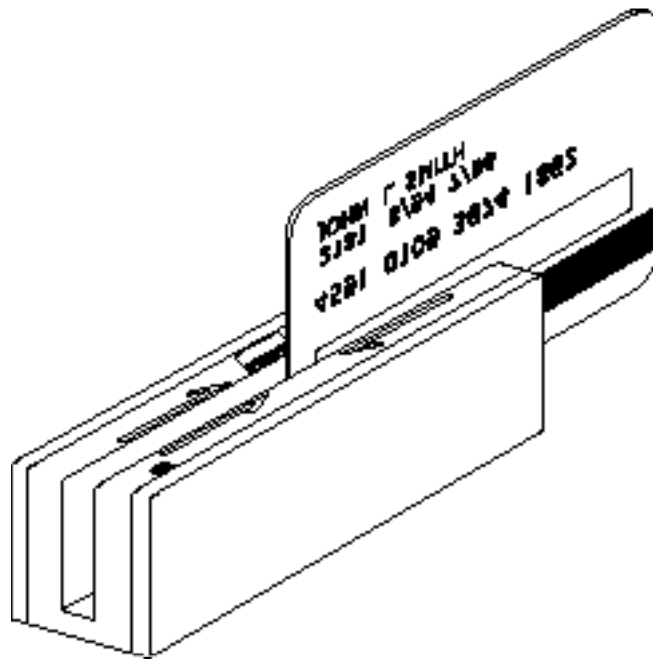
When ordered as RoHS compliant, this product meets the Electrical and Electronic Equipment (EEE) Reduction of Hazardous Substances (RoHS) European Directive 2002/95/EC. The marking is clearly recognizable, either as written words like "Pb-free", "lead-free", or as another clear symbol ()

## TABLE OF CONTENTS

<b>SECTION 1. FEATURES AND SPECIFICATIONS</b> -----	<b>1</b>
MAGTEK DEVICE DRIVERS FOR WINDOWS-----	1
FEATURES-----	2
CONFIGURATION-----	2
SPECIFICATIONS-----	4
<b>SECTION 2. INSTALLATION</b> -----	<b>7</b>
REQUIREMENTS-----	7
MOUNTING-----	7
INSTALLATION AND TEST-----	8
<b>SECTION 3. OPERATION</b> -----	<b>11</b>
LED INDICATOR-----	11
CARD READ-----	11
READER TO HOST MESSAGE FORMAT-----	11
TIMING FOR ID SIGN ON-----	12
<b>SECTION 4. PROPERTIES AND COMMANDS</b> -----	<b>15</b>
SENDING COMMANDS-----	15
XON/XOFF-----	15
RESET DEVICE-----	16
VERSION REQUEST-----	16
UPLOAD COMMAND-----	16
CONFIGURATION COMMANDS-----	17
Switch A-----	18
Switch B-----	19
Switch C-----	20
Sentinel Definitions-----	20

## FIGURES AND TABLES

Figure 1-1. Port-Powered Swipe Reader-----	vi
Figure 1-2. Reader Cable and Optional Adapter-----	2
Table 1-1. 9-Pin Connectors and 25-Pin Adapter-----	3
Table 1-2. Specifications-----	4
Figure 1-3. Dimensions-----	5
Figure 2-1. Mounting Hole Dimensions for Surface-----	8
Table 3-1. SS and ES Track Symbols-----	11
Figure 3-1. Timing For ID Sign-on and Transmission Bursts ( <i>Old version</i> ).-----	12
Table 3-2. Sign-on ID for Configurations-----	13
Table 4-1. Switch A-----	18
Table 4-2. Switch B-----	19
Table 4-3. Switch C-----	20
Table 4-4. Start and End Sentinels-----	20



**Figure 1-1. Port-Powered Swipe Reader**

## SECTION 1. FEATURES AND SPECIFICATIONS

The Port Powered Swipe Reader is a compact magnetic stripe card reader which conforms to ISO/ANSI standards. The Reader is compatible with the PC series of personal computers or any device with a serial RS-232 interface. A card is read by sliding it, stripe down and facing the LED side, through the slot either forward or backward.

A green/red LED (Light Emitting Diode) indicator on the Reader panel provides the operator with continuous status of the Reader operations.

When power is applied, the Reader transmits a sign-on ID message. About 150 to 330 milliseconds after DTR is applied, the Reader sends the part number of the firmware in the following form: 210888xxAnn<CR>. The first 8 characters indicate the firmware number; the letter is the revision, which is followed by a revision sublevel of 01 to 99. The <CR> indicates carriage return (0x0D). The sign-on messages for part numbers are listed in Section 3. Timing is also shown in Section 3.

### *Note*

*Additional features have been incorporated into the new version of the Port Powered Swipe Reader (generally available after March 2006). In the new version, the firmware part number will be reported as 21088838. The enhancements included in this new version are identified within this document with the word “new”.*

Since the input voltage is supplied by a relatively low source of power, the Reader depends on its input capacitor to maintain proper charge during all operations. In the **old** model, in order to reduce the drain on this internal power source during data transmission, the output data is transmitted in 5 to 6 millisecond bursts with a 10-millisecond gap between bursts to allow the capacitor to recharge. The PC software should be able to tolerate this 10-millisecond space between characters. The Timing is shown in Section 3, Figure 3-1. In the **new** version, with its lower current draw, the data is transmitted continuously since there is no need to transmit in bursts. Configurations, including part numbers, firmware, tracks, and unit configuration, are listed in Section 3, Table 3-2.

### MAGTEK DEVICE DRIVERS FOR WINDOWS

The MagTek Device Drivers for Windows may be used with the Port Powered Swipe Reader. They are available on a CD (Part Number 30037385) or from the MagTek web site (Part Number 99510013). When these drivers are used, refer to *MagTek Device Driver for Windows, Programming Reference Manual*, Part Number 99875125.

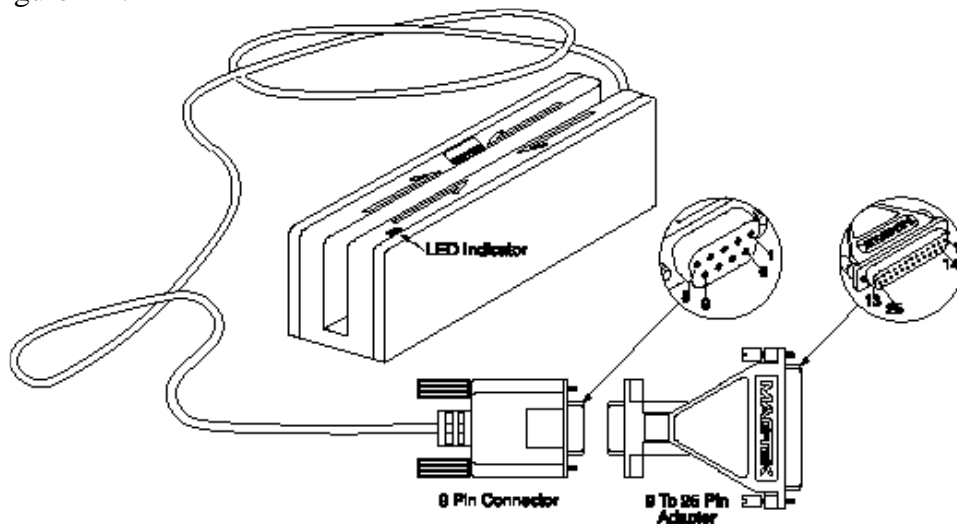
## **FEATURES**

Major features of the Swipe Reader are as follows:

- Powered through the RS-232 serial port – no external power supply required
- Hardware Compatible with PC or any computer or terminal with an RS-232 interface
- Software Compatible with the MagTek MTD Windows Device Drivers or any RS-232 communications program
- Bidirectional card reading
- Reads encoded data that meets ANSI/ISO/AAMVA standards
- Green/Red LED for status

## **CONFIGURATION**

The Reader, LED Indicator, pin numbers for the 9-pin connector and the 25-pin adapter are shown in Figure 1-2.



**Figure 1-2. Reader Cable and Optional Adapter**



Pin numbers and signal descriptions for the 9-pin (DE9) cable and 25-pin (DB25) adapter shown in the illustration are listed in Table 1-1.

**Table 1-1. 9-Pin Connectors and 25-Pin Adapter**

<b>25-pin Adapter</b>	<b>DE9-pin Connector</b>	<b>Signal</b>
-	1	NC*
3	2	RXD (to PC)
2	3	TXD** (from PC)
20	4	DTR (from PC)
7	5	GND
-	6-9	NC*

\* No Connection

\*\* Pin must be connected to TXD (or DTR if TXD not available).

**SPECIFICATIONS**

Table 1-2 lists the specifications for the Port Powered Swipe Reader. Figure 1-3 shows the dimensions for the standard product. Other sizes are available by special order.

**Table 1-2. Specifications**

<b>OPERATING</b>		
Reference Standards	ISO/ANSI/AAMVA*	
Power Input	From RS-232 interface	
Recording Method	Two-frequency coherent phase (F2F)	
Message Format	ASCII	
Card Speed	3 to 60 in/s (7.6 to 152.4 cm/s) – forward or reverse	
Head Life	1,000,000 passes	
<b>ELECTRICAL</b>		
	Old Version	New Version
DTR Voltage	5 to 15 VDC	4 to 15 VDC (+/-24 VDC absolute max)
Current		
Quiescent	1 to 2 mA typical (continuous)	7 mA maximum (continuous)
Transmit/Read	8 to 9 mA typical (5 ms duration)	11 mA maximum
Peak at Power On	12 mA	Limited by source (~50 µF load)
RS-232 Communication	9600 bps 8N1	Adjustable (default 9600 bps 8N1)
<b>MECHANICAL (STANDARD PRODUCT)</b>		
Dimensions	Length: 3.94" (100.0 mm) Width: 1.28" (32.5 mm) Height: 1.23" (31.3 mm)	
Weight	Reader 5.8 oz. (165 gr.)	
Cable length	See Table 3-2	
Connector	9 pin D female	
<b>ENVIRONMENTAL</b>		
	Old Version	New Version
Temperature		
Operating	32°F to 131°F (0°C to 55°C)	32°F to 158°F (0°C to 70°C)
Storage	-22°F to 158°F (-30°C to 70°C)	-22°F to 158°F (-30°C to 70°C)
Humidity		
Operating	10% to 90% noncondensing	10% to 90% noncondensing
Storage	10% to 90% noncondensing	10% to 90% noncondensing

\* ISO (International Standards Organization), ANSI (American National Standards Institute), and AAMVA (American Association of Motor Vehicle Administrators).

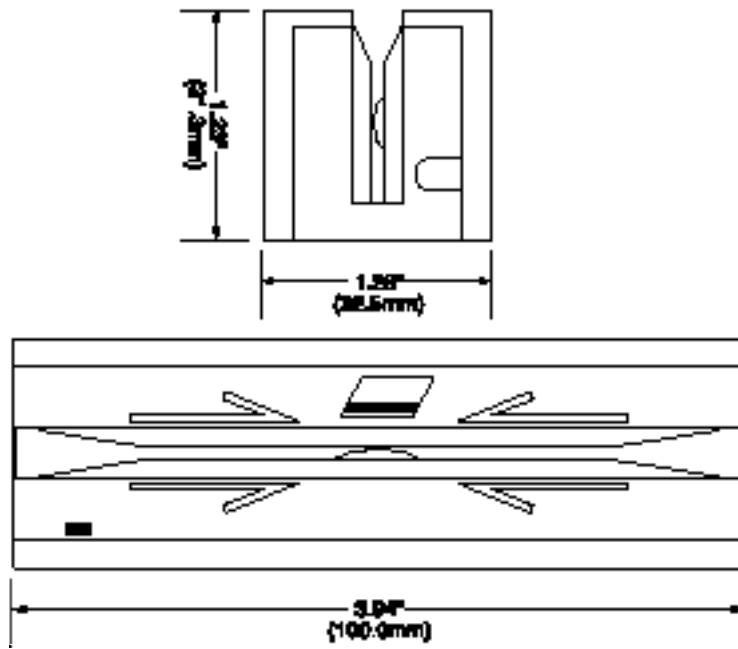


Figure 1-3. Dimensions



## SECTION 2. INSTALLATION

The hardware installation consists of plugging the cable into the PC and optional 25-pin adapter, if required, Com Port setup, and testing the Reader.

### REQUIREMENTS

- Port Powered Swipe Reader
- Optional 9- to-25-pin Adapter, P/N 78200018
- PC with Serial RS-232 Com Port
- MagTek Windows Drivers or any RS-232 communications program

### MOUNTING

1. The Reader can be mounted on a surface in three ways:
  - By two screws through the surface attached to the bottom of the unit and running the cable on the top of the surface
  - By two screws through the surface attached to the bottom of the unit and by drilling a hole in the surface for the cable and running the cable through the hole
  - By attaching the unit to the surface with 3M™ Dual Lock™ fasteners (or equivalent) and running the cable on the top of the surface

#### *Note*

*The two mounting inserts are 3 mm diameter; 0.5 mm pitch; 6.4 mm deep. The length of the screws used depends on the mounting surface thickness and the thickness of washers (if used).*

The mounting dimensions are shown in Figure 2-1. Determine the method of mounting required.

2. Ensure the Reader is positioned on a flat, accessible surface with at least 4 inches clearance on either end for room to swipe a card. Orient the Reader so the side with the LED is facing the direction of intended use.

If fastening tape is to be used, clean the area that the Reader will be mounted on with isopropyl alcohol. Remove the adhesive protective cover on the fastening tape, and position the Reader and push down firmly.

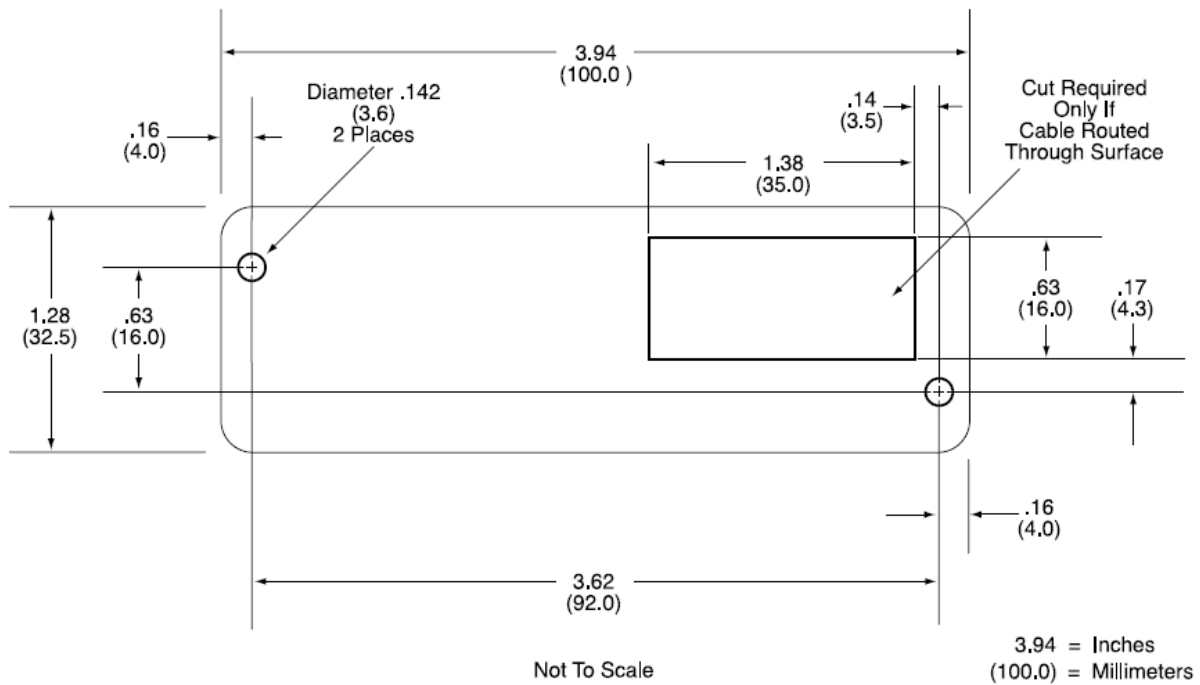


Figure 2-1. Mounting Hole Dimensions for Surface

3. Mount the Reader.

## INSTALLATION AND TEST

To install the Swipe Reader, perform the following steps:

1. Connect the Swipe Reader cable connector into a 9-pin serial Com Port on the PC. If a 25-pin Adapter is required, plug the 9-pin connector on the Reader into the Adapter and the adapter into the PC.
2. Open a communications program such as the MagTek Encoder/Reader Demonstration Program, which may be obtained from the Internet at [www.magtek.com](http://www.magtek.com). Navigate to the Demo Programs and select *Encoder/Reader Demo*.
3. On the program, select the Com Port the Reader is connected to.
4. If the Com Port selected is correct, the green LED on the Reader will light; if the *wrong* Com Port is selected, the LED will not light.
5. Select the baud rate of 9600.

6. Select 8 data bits, no parity, 1 stop bit. (With the *new* version, this setting can be adjusted as required.)
7. With the LED on, swipe a card. The data on the screen will show Track 1 beginning with “%” and ending with “?”. Track 2 begins with “;” and ends with “?”. Track 3 begins with “+” (normal) or “!” (CDL) and ends with “?”. The following is an example:

**%B123^Smith/Joann^9812101000?;1122223333334444444444?<0x0D>**

If a track cannot be read, an **E** will appear in place of the track data; for example, if Track 2 is bad and Tracks 1 and 3 are good, the display will be similar to the following:

**%11111111111111111111?;E?+33333333333333333333?<0x0D>**

If Tracks 1 and 3 are bad and Track 2 is good, the display will be similar to the following:

**%E?;22222222222222222222?+E?<0x0D>**

8. If the data on the screen is not numeric or alphanumeric similar to the above, check the communications rate. If the alphanumeric characters are similar to the above, the unit is ready for operation.





## SECTION 3. OPERATION

Included in this section are Indicator, Card Read, Reader to Host Message Format, and a timing diagram of sign-on ID.

### LED INDICATOR

A green/red LED indicator on the panel gives the operator the status of the Reader. If the cabling is correct and the correct Com Port is selected, the indicator will show green. If the indicator does not come on, check the cabling and the Com Port. The LED is turned off while the unit is transmitting. If an error has been detected while reading the card, the LED will momentarily show red.

### CARD READ

A card may be swiped through the Reader slot when the green LED is lit. The magnetic stripe must face toward the front (the side with the LED) and may be swiped in either direction.

### READER TO HOST MESSAGE FORMAT

Track data is sent in the following order: SS, Card Data, ES.

The format in which data is transmitted (in track order) after a card is read successfully is as follows:

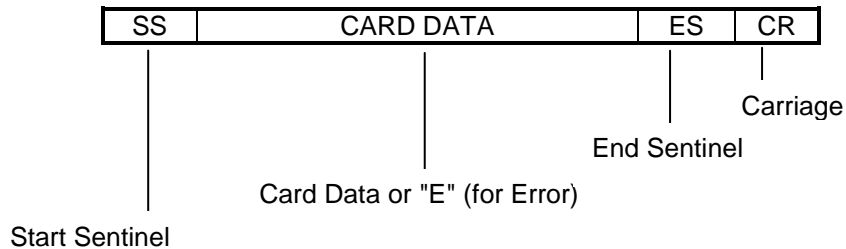


Table 3-1 lists the default Start Sentinel and End Sentinel symbols.

**Table 3-1. SS and ES Track Symbols**

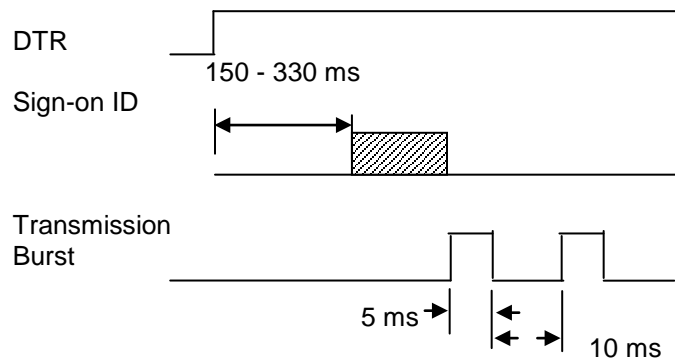
Start Sentinel	End Sentinel	Description
%	?	Track 1
;	?	Track 2
+	?	Track 3 - ISO
#	?	Track 3 - AAMVA

## TIMING FOR ID SIGN ON

Timing for the ID Sign-on and transmission bursts (5 ms with 10 ms between bursts) are shown in Figure 3-1.

### *Note*

*The “Transmission Burst” timing shown in Figure 3-1 only applies to the **old** version of the Reader. The **new** version does not apply the 10 ms gap between transmission bursts but rather transmits the full message without any delays. The Sign-on ID delay is in the range between 150 to 330 milliseconds.*



**Figure 3-1. Timing For ID Sign-on and Transmission Bursts (Old version).**

The firmware controls the operation of Sign-on ID and Transmission bursts in the following format:

210888xxLnn<CR>

Where:

the first **8 digits** are the firmware part number

**xx** represents the Swipe Reader series

**L** is the alpha revision

**nn** is the number sub-revision

**<CR>** (Carriage Return) is 0x0D

Table 3-2 lists the available part number, firmware, and configuration.

**Table 3-2. Sign-on ID for Configurations**

<b>Part Number</b>	<b>Firmware (Old)</b>	<b>Firmware (New)</b>	<b>Track Configuration</b>	<b>Configuration*</b>
21040071	21088811	21088838	1,2	Pearl White
21040074	21088817	21088838	1,2,3	Pearl White
21040075	21088814	n/a	2	Pearl White
21040079	21088811	21088838	1,2	Black
21040080	21088814	n/a	2	Black
21040081	21088811	21088838	1,2	Black, 150 mm cable
21040082	21088817	21088838	1,2,3	Black
21040091	21088811	21088838	1,2	Black, No Cover, 5.9" Cable, 4-pin
21040092	21088817	21088838	1,2,3	Pearl White, 5 m cable
21040094	21088811	21088838	1,2	Pearl White, No Cover
21040096	21088811	21088838	1,2	Black, 4" Cable, 4-pin
21040097	21088811	21088838	1,2	Pearl White, 150 mm cable, 4-pin
21040231	21088817	21088838	1,2,3	Black, Teflon wires, 4' Cable, no connector

\*All cables are 6' DE9 unless otherwise specified.



## SECTION 4. PROPERTIES AND COMMANDS

A full set of properties and commands have been incorporated into the *new* version of the Port Powered Swipe Reader. This section describes the function and operation of each of these properties, and shows how to implement the commands.

### SENDING COMMANDS

The Reader will operate from 2400 to 115200 bps but each command sent to the Reader must match the communication parameters of the Reader. The default communication parameters are 9600 bps with 8 bits, no parity and 1 stop bit (8N1). If the Reader fails to respond after a command has been transmitted, the application should modify the transmission parameters until a response is received.

Commands, as described below, must be preceded by an Escape (<ESC> – 0x1B) character and be terminated by a Carriage Return (<CR> – 0x0D). All commands are case sensitive—that is, they must all use upper case characters.

After a valid command has been received, the Reader will respond with an Acknowledge (<ACK> – 0x06) within one character time. If a message is started but not completed within 2 seconds, a No-acknowledge (<NAK> – 0x15) will be transmitted; also, if the baud rate or other communication settings are incorrect, the Reader will transmit a NAK using its current communication parameters. An unrecognized command will also return a NAK.

### XON/XOFF

The Reader can be placed into a “silent” mode so that it will not transmit or receive anything until requested to do so. This may be useful with interrupt-driven applications where the Reader should be disabled. The default for the Reader after a reset is XON.

After an XOFF (0x13) has been received and after completing any transmission that may be in progress, the Reader will respond with an ACK and then hold card data in buffer. The data will not be transmitted until an XON has been received. In this mode, only the most recent card swipe will be available; any prior card swipes will be erased. Additionally, when in the XOFF mode, all commands will be ignored (until an XON is received or until a hardware reset).

When an XON (0x11) has been received, the Reader will transmit an ACK followed by the data in the buffer (from the last swiped card) if available. The buffer will be cleared after the data has been transmitted. If the buffer is empty, only an ACK will be transmitted.

### RESET DEVICE

The Reader will always be reset when power (DTR) is applied (hardware reset). It can also be reset programmatically with a Reset (RS) command. This command can be used after changing the setting to activate the new values:

<ESC>RS<CR>

After sending the <ACK>, the Reader will perform a soft reset and, if the function is enabled (SA-6), will transmit the sign-on ID message:

<ACK>21088838A00<CR>

Note that the carriage return (CR) will be included in this response only if the function is enabled (SB-0).

### VERSION REQUEST

In order to determine which device is connected, the application can send a Version Request (VR) command to the Reader:

<ESC>VR<CR>

The Reader will respond with an ACK and then will transmit the firmware part number and the corresponding version in a format like this:

<ACK>21088838A00<CR>

Note that the carriage return (CR) will be included in this response only if the function is enabled (SB-0).

### UPLOAD COMMAND

The Upload (UP) command is used to move any modified properties from temporary storage into the flash memory. This only needs to be done once after all changes have been made.

This method of updating the programmable settings allows all parameters to be modified in anticipation of the next reset. Thus, a series of switch commands (including the sentinel values described below) can be sent to the Reader without affecting any operation. The set of configuration commands should be followed by an Upload (UP) command to transfer all settings into flash. Finally, the Reset (RS) command can be sent to validate that all changes have taken place. After the RS command, any changes to communication parameters will be effective.

## CONFIGURATION COMMANDS

The configuration properties are stored in three separate bytes (referred to as switches). The switch settings are modified with three separate commands, one for each switch. The switch names, bits and corresponding properties are shown in the tables below.

The command to interrogate or modify a switch is of the form:

`<ESC>Sn<CR>`

where “n” is “A”, “B” or “C”.

For example, to interrogate the values of switch B, send the command:

`<ESC>SB<CR>`

The response will look like this:

`<ACK><ESC>SB00000001<CR>`

In order to change any switch settings, send a command like this:

`<ESC>SA11100010<CR>`

which will set switch A to the default value. The Reader will respond with an ACK if the command is formatted properly. The change in settings will NOT take place until after the Upload and Reset commands have been sent:

`<ESC>UP<CR>`

`<ESC>RS<CR>`

The Upload (UP) command moves the new setting(s) into flash memory. The new setting(s), however, will not be used until the device has been reset—either with a power reset or with the soft Reset (RS) command.

**Switch A**

Switch A, Table 4-1, is primarily used to define the communication settings. The default for Switch A is:

11100010      9600, no parity, 8 bits, send ID at power on, transmit SS & ES

**Table 4-1. Switch A**

Command position	1	2	3	4	5	6	7	8	
Byte Position	7	6	5	4	3	2	1	0	Description
						0	0	0	Baud rate 2400
						0	0	1	Baud rate 4800
						0	1	0	Baud rate 9600
						0	1	1	Baud rate 14400
						1	0	0	Baud rate 19200
						1	0	1	Baud rate 38400
						1	1	0	Baud rate 57600
						1	1	1	Baud rate 115200
			0	0					No parity
			0	1					Even parity
			1	0					Odd parity
			1	1					Mark (Parity = 1 all the time)
		0							7 bits data length
		1							8 bits data length
	0								Send ID at power on: No
	1								Send ID at power on: Yes
0									Transmit SS and ES: No
1									Transmit SS and ES: Yes



**Switch B**

Switch B, Table 4-2, is used to define the bracketing characters that are used in the messages. The default for Switch B is:

00000001      Send CR after messages but don't send STX, ETX, ESC, LRC

**Table 4-2. Switch B**

Command position	1	2	3	4	5	6	7	8	
Byte Position	7	6	5	4	3	2	1	0	Description
								0	Send CR after messages: No
								1	Send CR after messages : Yes
							0		Send STX before data: No
							1		Send STX before data: Yes
						0			Send ETX before data: No
						1			Send ETX before data: Yes
				0					Send ESC before data: No
				1					Send ESC before data: Yes
			0						Send LRC with track data: No
			1						Send LRC with track data: Yes
		X							Reserved
	X								Reserved
X									Reserved

### Switch C

Switch C, Table 4-3, is used to define the way a card is read. The default for Switch C is: 01010101 Enable (but don't require) tracks 1, 2 & 3; decode all types of tracks

**Table 4-3. Switch C**

Command position	1	2	3	4	5	6	7	8	
Byte Position	7	6	5	4	3	2	1	0	Description
							0	0	Track 1 Disabled
							0	1	Track 1 Enabled
							1	1	Track 1 is required*
					0	0			Track 2 Disabled
					0	1			Track 2 Enabled
					1	1			Track 2 is required*
			0	0					Track 3 Disabled
			0	1					Track 3 Enabled
			1	1					Track 3 is required*
	0								Decode ISO/ABA tracks only
	1								Decode ISO/ABA & custom tracks
X									Reserved

\* If a track is required but does not exist, the Reader will indicate an error for that track.

### Sentinel Definitions

The start and end sentinels values can individually be specified by commands. The default settings are shown in the Table 4-4.

**Note**

*Changing the value of any of the sentinels does not actually change the encoded value on the magnetic track; it merely represents the sentinel in a unique way to help distinguish differently formatted tracks.*

**Table 4-4. Start and End Sentinels**

Value Name	Default (hex)	Default (ASCII)	Definition
S1	25	%	Start Sentinel ISO/ABA Track 1
S2	3B	;	Start Sentinel ISO/ABA Track 2
S3	2B	+	Start Sentinel ISO/ABA Track 3
S4	40	@	SS Non-standard (7bits) Track 2
S5	26	&	SS Non-standard (7bits) Track 3
S6	23	#	SS AAMVA track 3
SE	3F	?	End Sentinel for all tracks all type

---

#### Section 4. Properties and Commands

As with the switch settings, the sentinel parameters can be discovered by sending the corresponding command for that value immediately followed by a CR. For instance, in order to determine the present setting of the 7-bit track 3 start sentinel, send the following command:

<ESC>S5<CR>

The Reader will respond with the value, in nibbles:

<ACK><ESC>S526<CR>

Any ASCII character from 0x00 to 0x7F can be used as a sentinel. To change the value of the 7-bit track 3 start sentinel to “!” (0x21), send the following command:

<ESC>S521<CR>

Again, as with the switch commands described above, send the Upload (UP) command followed by the Reset (RS) command to complete the transaction.

